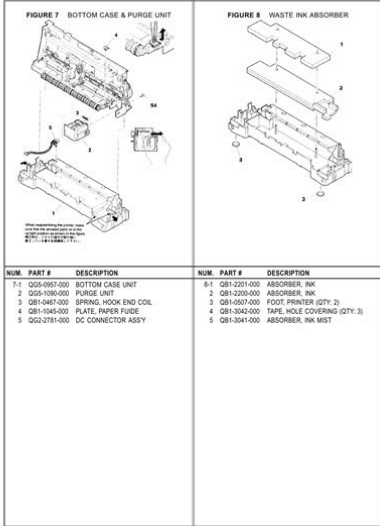


Parts Catalog

BJC-4300

Canon



4 of 9

**File Name:** canon bjc 4300 manual.pdf

**Size:** 2004 KB

**Type:** PDF, ePub, eBook

**Category:** Book

**Uploaded:** 8 May 2019, 12:31 PM

**Rating:** 4.6/5 from 571 votes.

**Status: AVAILABLE**

Last checked: 7 Minutes ago!

**In order to read or download canon bjc 4300 manual ebook, you need to create a FREE account.**

[\*\*Download Now!\*\*](#)

eBook includes PDF, ePub and Kindle version

[Register a free 1 month Trial Account.](#)

[Download as many books as you like \(Personal use\)](#)

[Cancel the membership at any time if not satisfied.](#)

[Join Over 80000 Happy Readers](#)

**Book Descriptions:**

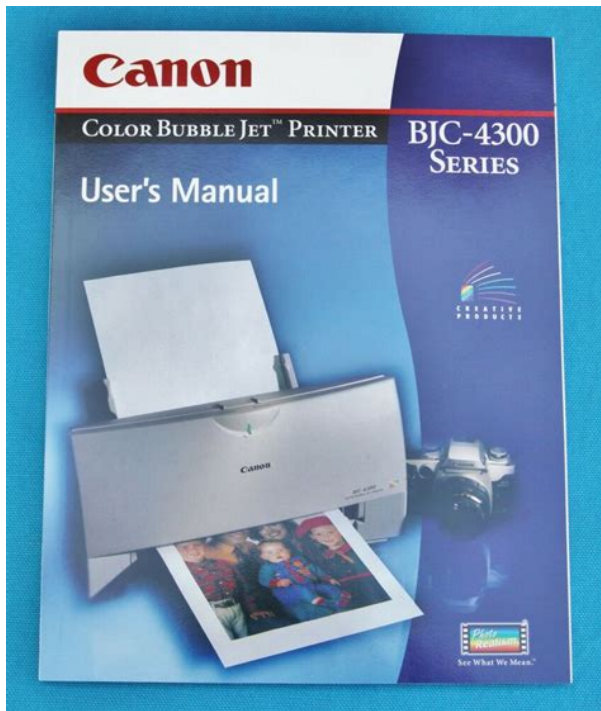
We have made it easy for you to find a PDF Ebooks without any digging. And by having access to our ebooks online or by storing it on your computer, you have convenient answers with canon bjc 4300 manual . To get started finding canon bjc 4300 manual , you are right to find our website which has a comprehensive collection of manuals listed.

Our library is the biggest of these that have literally hundreds of thousands of different products represented.



## Book Descriptions:

# canon bjc 4300 manual



We appreciate your choosing this printer to meet your printing needs. The BJC4300 Series printers offer excellent print quality and fast print speed using both color and black inks. We are certain you will be satisfied with this advanced Bubble Jet technology. Canon has an extensive dealer network equipped to offer you supplies as you need them. Canon does not prohibit the use of thirdparty inks and the use of thirdparty inks does not invalidate the products limited warranty. However, Canon cannot guarantee the quality or performance of your printer when you are using inks from other suppliers. Color Image Scanner Cartridge You can use your BJC4300 Series printer as a color image sheetfed scanner by removing the BJ cartridge from the printer and replacing it with the optional IS22 Color Image Scanner Cartridge. If you do not have access to the Web, you can call Canon see page 15. It includes Installing a printer driver Printing a document Printer setup within Windows 95 Printer setup within Windows 3.1 The Windows tabs Printing speed versus color Installing a Printer Driver Before you can use any type of printer with your computer, you must install a printer driver. Make sure the Choose Print Setup from the File menu. Canon BJC4300 is selected as your default printer. Click on the Setup button if you want to make any adjustments as appropriate for printing your document. General Windows 95 only This tab allows you to add comments regarding the printer driver and print test page or a separator page. It also allows you to turn off the printer after a certain period of inactivity. The printing options on this tab are the same for both Windows 95 and Windows 3.1. 4300 Chapter 2 Page 7. To move between the Windows tabs, click on any of the tabs. To save the settings and exit, click the OK button. To cancel your settings selections on a tab, click the Cancel button. On the Setting tab, click on the green check to enable the Setup Analyzer.<http://www.zajazdszalas.pl/userfiles/dodge-caliber-repair-manual-2007.xml>

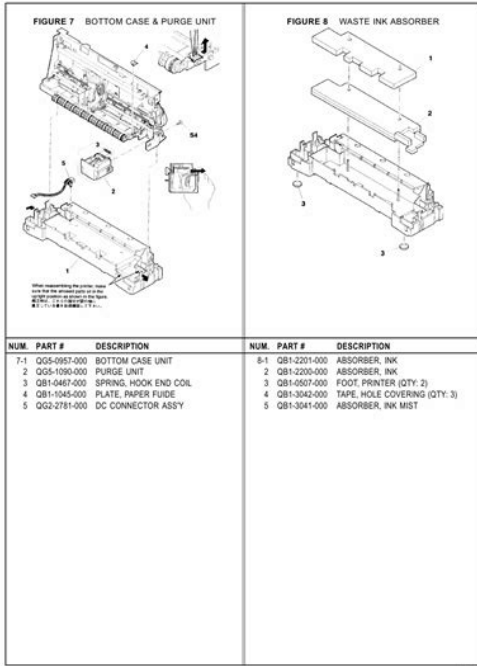
- **canon bjc 4300 manual, canon bjc 4300 manual, canon bjc 4300 manual download, canon bjc 4300 manual pdf, canon bjc 4300 manual downloads, canon bjc 4300 manual free.**

**FIGURE 7 BOTTOM CASE & PURGE UNIT**

**FIGURE 8 WASTE INK ABSORBER**

NUM.	PART #	DESCRIPTION	NUM.	PART #	DESCRIPTION
7-1	QG5-1957-000	BOTTOM CASE UNIT	8-1	QB1-2201-000	ABSORBER, INK
2	QG5-1090-000	PURGE UNIT	2	QB1-2200-000	ABSORBER, INK
3	QB1-0467-000	SPRING, HOOK END COIL	3	QB1-6507-000	FOOT, PRINTER (QTY: 2)
4	QB1-1045-000	PLATE, PAPER FLUIDE	4	QB1-3042-000	TAPE, HOLE COVERING (QTY: 3)
5	QG2-2781-000	DC CONNECTOR ASSY*	5	QB1-3041-000	ABSORBER, INK MIST

When you exit the printer driver and accept your printing settings by clicking the OK button, the Setup Analyzer if enabled checks to see if any of your settings are contrary to the recommended settings. To enable Cartridge Detection, which is located on the Setting tab, click the green check. When printing black ink only, the driver has only one color to interpret. The computer will need to calculate and transmit fewer dots. Too many colors can make the image confusing and less effective as well as cause the print speed to slow down. Use primary colors when printing presentation graphics. Use Black, cyan, yellow, magenta, blue, green, and red when possible. You can stack paper in the sheet feeder to load it automatically, or you can manually feed one sheet at a time. Use this paper with the BC06 Photo BJ Cartridge to produce photorealistic prints from your printer. Greeting Cards Get the most out of your Canon Creative or other card making software with Canon Greeting Cards GC101. These cards give your unique, personalized cards the look and feel of professional cards. Use cutsheet paper only. You can use multipart paper. Center for the BC21e Color BJ Cartridge Left for the BC20 Black BJ Cartridge Right for heavierweight print media or envelopes Be sure check this lever when you change BJ cartridges, and before and after printing on heavierweight print media or envelopes. You can place approximately 100 sheets of plain paper 20 lb. Pull out the paper output tray and its extension. Fan the paper. For best results, fan the paper before loading it. Always fan a stack of paper along the edge that will feed into the printer first. 4300 Chapter 3 Page 8. Start your print Make sure that the printer is turned on. operation. This may cause paper jams, smudges, or malfunctions. Do not leave paper stacked in the printer for long periods of time; longer sheets of paper may become bent or curled over time. <http://www.svenskafik.se/uploads/fckeditor/dodge-caliber-repair-manual-pdf.xml>



Set the paper If you are manually feeding heavierweight print media, set the paper thickness thickness lever. Hold the sheet for about two seconds until it feeds automatically. The printer will automatically load the paper into position. You may be able to stack envelopes of other sizes in the sheet feeder; however, Canon cannot guarantee consistent performance on envelope sizes other than COM10 and DL. Prepare the Arrange the stack of envelopes on a firm surface and press down firmly on the envelopes.Press all the way around the envelopes to remove any curls and expel air from inside the envelopes. Start your print Make sure the printer is on. operation. Specialty Paper Guidelines Be sure to read any instructions that come with your Canon Specialty Paper. These instructions provide important information regarding how to achieve the highest print quality with these papers. Dust and dirt may accumulate on the film resulting in spotty printing. To avoid smudging caused by finger prints, use a pair of thin cloth gloves while handling the film. When using the BC22e Photo BJ Cartridge to print on Canons High Resolution Paper HR101, lift the paper output guides on both sides of the printers output tray Always lift both paper output guides. Adjust the paper guide to the edge of the cleaning sheet. Press the Make sure the printer is on. Be sure to look through this booklet for special information regarding the Fabric Sheets. This section describes specific steps for using Fabric Sheets with the printer. Adjust the paper guide to the edge of the fabric sheet. Do not attempt to load more than one sheet at a time. In the Paper tab, select A4 for the Paper Size and select Fabric Sheet for the Set up the BJC4300 Printer. Do not remove the film backing before printing. Wash the printed fabric sheet for about three minutes under lukewarm running water to remove extra ink. To set up a print job on banner paper, you must decide on the number of sheets you need.

You can print banners from 2 to 6 sheets in length. Use both hands to open the front cover.From the File menu, select Print. Then select your print options using the BJC4300 Printer printer driver. Driver for Windows. Start printing. Click OK or Print to start the print job. Do not allow the paper to hang over the edge of the desk or work table directly. It includes Printer guidelines Cleaning the printer Printing the test pages Cleaning the print head BJ cartridge guidelines Replacing the BJ cartridge Replacing a BJ tank in the BC21e Color BJ Cartridge Storing a BJ cartridge Installing and Removing the Optional Color Image Scanner Cartridge Transporting the printer. Do not use an angled printer stand. Avoid setting the printer in direct sunlight. Keep the front cover closed when

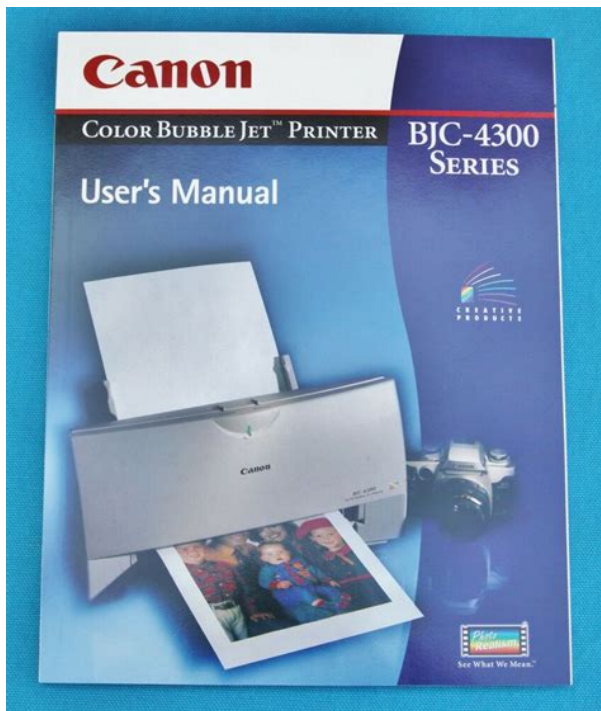
printing. Do not set anything on top of the printer. Make sure the power is off any time you connect or disconnect the AC adapter or interface cable. Perform the following maintenance, as necessary, to keep your printer in good operating condition. Make sure the printer is turned off before cleaning it. It is a good idea to unplug the AC adapter also. Test A This test prints a repeating pattern of characters. Demonstration This test prints a sample page describing the printer's features. Before selecting a Test option, make sure paper is properly loaded in the sheet feeder. See Automatically Feeding Paper starting on page 37. Press and hold the POWER button until you hear the number of beeps that correspond to the test page you want to print. Test Page Demonstration Status Information. Cleaning the Print Head From Windows If you are using Windows, you can execute print head cleaning from the Control sheet in the printer driver. Perform the print head cleaning only when you encounter a print quality problem. Canon does not prohibit the use of thirdparty inks and the use of thirdparty inks does not invalidate the product's limited warranty.



<http://gbb.global/blog/40-hp-evinrude-manual-tilt>

However, Canon cannot guarantee the quality or performance of your printer when you are using inks from other suppliers. Spilled ink can stain any surface. Open BJ cartridges carefully, and follow the guidelines presented here to protect against spilled ink. Follow the instructions in this section to replace an old BJ cartridge or to change BJ cartridges when you are switching between the BC21e and any of the other BJ cartridges. CARTRIDGE The POWER light blinks while the cartridge holder is positioned in the center button once. This may damage the printer. Slide the BJ cartridge out of the holder. 4300 Chapter 4 Page 12. Take the new BJ. Peel off the protective foil. Slide the BJ. Be careful not to touch the rollers with the print head. Do not manually move the mechanism that houses the BJ cartridge. Attempting to move the BJ cartridge holder will damage the printer. Close the front cover. 4300 Chapter 4 Page 16. If you unplug the printer while it is printing or if you turn off a power strip to which the printer is connected, or if you manually move the cartridge holder from the home position, the BJ cartridge will not be capped and it may dry out. Perform the print head cleaning at least five times. If the output is still blank, replace the empty BJ tank in the BC21e Color BJ Cartridge. Dispose of the BJ tank properly. Press firmly on the tab on the top of the BJ tank until it snaps into place. 4300 Chapter 4 Page 20. BJ tank is correctly seated in its respective slot. Press the. The printer beeps and moves the cartridge holder to the home position on the right. Cartridge of the printer. Open the. When opening the Ink Cartridge Storage Box, press in on the release tab that locks the cover in place. If you have more than one Ink Cartridge Storage Box, you can hook them together. This section describes how to install and remove the Color Image Scanner Cartridge.

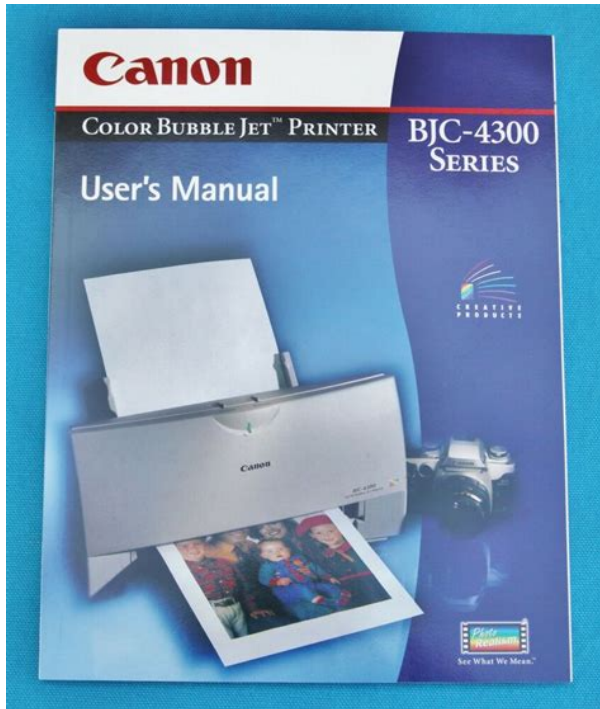
<http://www.compositeinc.com/images/browning-hi-power-manual-for-sale.pdf>



For details on operating the printer as a scanner, see the IS22 Color Image Scanner Cartridge Users Manual that comes with the scanner cartridge. Press the CARTRIDGE button once and close the front cover. Removing the Color Image Scanner Cartridge 4300 Chapter 4 Page 26. Do not leave the Color Image Scanner Cartridge in the printer. Remove the scanner cartridge just as you would a BJ cartridge. See step 1 on page 424 for details. Store the scanner cartridge in the Ink Cartridge Storage Box provided with the cartridge. The printers components, such as the sheet feeder, may become damaged if subjected to severe vibration during transportation. Also, your print head may dry out during travel and become unusable if it is not capped and taped correctly. An opened printer in its original packing BJ cartridge or BJ tank that is not installed in the printer may leak, and the print. See Getting Help From Canon in Chapter 1 page 15 for details on Canons customer technical support options. Turn off the Press the POWER button printer. Remove the Gently pull the paper out with one hand while holding down the printer with the other hand. The table lists the minimum margins. Margin Inches 0.25 1.25 0.12 0.65 BJ Cartridges Fabric Sheet. This page requires Javascript. Modify your browsers settings to allow Javascript to execute. See your browsers documentation for specific instructions. To install your download click on the name of the downloaded file.Scroll down to see your support options. You can also click one of these links to search our extensive Knowledge Base or visit the Canon Community Forum. The driver may be included in your OS or you may not need a driver. Recommended Drivers File Name Date File Size Optional Drivers File Name Date File Size Recommended Software File Name Date File Size Optional Software File Name Date File Size Recommended Manuals File Name Date File Size Optional Manuals File Name Date File Size. Contents Supplies and Accessories 12.

<http://condit-pack.com/images/browning-gun-safe-manuals.pdf>





BJ Cartridges and BJ Tanks 12. Canon Specialty Papers 14. Color Image Scanner Cartridge 14. Getting Help From Canon 15. Servicing the Printer 16 Installing a Printer Driver 21. Printing a Document 22. Printer Setup Within Windows 95 23. Opening the Printer Properties Dialog Box in Windows 95 23. Using the Printer Driver in Windows 95 23. Printer Setup Within Windows 3.1 24. Accessing the Printer Options 24. The Windows Tabs 25. Specifying Your Printing Options 28. Recommended Graphics Settings 28. Using the Setup Analyzer 210. Using Cartridge Detection 211. Printing Speed Versus Color 212. For Quick Color Printing 212. For High Quality Color Printing 212. For Monochrome Printing 213. Other Ways to Improve Printing 213 Selecting Paper Types 32. Paper Guidelines 34. Setting the Paper Thickness Lever 35. Printer Settings for Various Print Media 36. Loading Paper 37. Automatically Feeding Paper 37. Auto Feed Guidelines 310. Manually Feeding Paper 312. Printing on Envelopes 314. Using Canons Specialty Papers 317. Specialty Paper Guidelines 317. High Resolution Paper HR101 319. Fabric Sheet FS101 322. Printing on Banner Paper 324 Printer Guidelines 42. Cleaning the Printer 43. Printing the Test Pages 44. Printing the Test Page From Windows 45. Printing the Test Pages Using the Operators Panel 46. Cleaning the Print Head 46. Cleaning the Print Head From Windows 46. Cleaning the Print Head Using the Operators Panel 47. BJ Cartridge Guidelines 48. BJ Cartridge and BJ Tank Maintenance 410. Replacing the BJ Cartridge 411. Replacing a BJ Tank in the BC21e Color BJ Cartridge 418. Storing a BJ Cartridge 422. Installing and Removing the Optional Color Scanner Cartridge 424. Installing the Color Image Scanner Cartridge 424. Removing the Color Image Scanner Cartridge 427. Transporting the Printer 428 Identifying Your Printer Problem 52. General Problems 53. Clearing Paper Jams 54. Technical Notes 55. Appendix A Specifications A1. Printing Specifications A1. BJ Cartridges A4.

General A5. Optional IS22 Color Image Scanner Cartridge A5. Glossary G1. Index I 1. FCC Regulations FCC1. Introduction. Q Q Q g Q Q Q. Printer. We appreciate your choosing this printer to meet your printing needs. The BJC4300 Series printers offer excellent print quality and fast print speed using both We are certain you will be satisfied with this advanced Bubble Jet This chapter. Lists the supplies, accessories, and options you can purchase for the printer. Supplies and Accessories. Your BJC4300 Series printer supports excellent and unique print media Canon has an extensive dealer network equipped to offer you supplies as you Canon by calling You can use the following BJ cartridges with the BJC4300 printers. You can purchase the following BJ tanks for use in the BC21e Color BJ Cartridge. Note. BJ cartridges contain the Bubble Jet print head and BJ tanks,

while BJ tanks Canon does not prohibit the use of thirdparty inks and the use of thirdparty However, Canon cannot For optimum printing results, Canon recommends that you use only Canon BJ You can also purchase the optional Canon BC22e Photo Kit, Which Includes everything See Chapter 4, Maintaining the Printer, for details on replacing BJ cartridges. Canon Specialty Papers. Canon manufactures numerous specialty papers, including. Glossy Photo Paper GP201. Banner Paper. High Resolution Paper HR101. TShirt Transfers TR101. Greeting Cards GC 101. Bubble Jet Paper LC301 water resistant. Fabric Sheets FS101. CF102 Transparencies. Back Print Film BF102. High Gloss Film HG101. See Chapter 3, Paper Handling, for details on Canons Specialty Papers. Color Image Scanner Cartridge. You can use your B J C4300 Series printer as a color image sheetfed scanner by IS22 Color Image Scanner Cartridge. This scanner cartridge employs an Image Scanner Cartridge Users Manual that comes with the cartridge See Chapter 4, Maintaining the Printer, for instructions on how to install the Getting Help From Canon. Canon Computer Systems, Inc.

<https://moniimpex.com/wp-content/plugins/formcraft/file-upload/server/content/files/162710786cbb99---bowflex-xtreme-se-manual.pdf>

Speak to a technician free of service charge currently Monday through Friday, 800 Customer support for Canadian residents is available 24 hours a day seven In other countries contact your Canon Dealer. Servicing the Printer. The Canon BJC4300 Series Color Bubble Jet Printers are designed with the latest The Warranty Card that comes with the Save your sales receipt for proof of purchase. In the event that your printer needs If you feel your BJC4300 Series Color Bubble Jet Printer needs servicing, contact. Canon on the World Wide Web to locate the Canon Authorized Service Facility ASF Using the Printer With Windows It includes. Installing a printer driver. Printing a document. Printer setup within Windows 95. Installing a Printer Driver. Before you can use any type of printer with your computer, you must install a You define these settings within the printer driver then You must install the BJC4300 Printer Driver for Windows before you can use See your Quick Start Guide for instructions. Printing a Document. This procedure describes the general steps required for printing from various Windows Refer to your software applications documentation for the exact Start your Make sure the. Canon BJC4300 Choose Print Setup from the File menu. Piirilr Setup Within Windows 3.1 for details.. Printer Setup Within Windows 95. You can use the printer with all your Windows 95 applications. Opening the Printer Properties Dialog Box in Windows 95. You can open the Properties dialog box in one of the following ways From the Printers folder, you can select the printer, click the right mouse button, and Using the Printer Driver in Windows 95. The printing options are displayed on the following Windows 95 tabs General. Details, Paper, Graphics, Setting, and Control. See The Windows Tabs section Note. For detailed information on any of the printing options, you can use Windows 95 Whats This command. Printer Setup Within Windows 3.1. You can use your printer with all your Windows 3.

1 applications. Accessing the Printer Options. You can access the printing options from the Printers dialog box in the Control Panel, or you Windows. It should provide information about changing the. In Windows 3.1, the printing options are displayed on these tabs Paper, Graphics, Setting, The Windows Tabs. The BJ Series Printer Driver for Windows has several tabs from which you select you This tab allows you to add comments regarding the printer driver and print test page This tab allows you to specify page orientation, paper size, and type of print media. This tab allows you to specify print quality, color model, and print model. The However, the Image Color Matching feature is available in Windows 95 only. This tab allows you to turn on or off the Setup Analyzer and Cartridge Detection. It ENABLE Qfl This tab allows you to print test pages, turn off the printer, enable or disable the auto It also allows you to turn off the printer Specifying Your Printer Options. Be sure to use your online help to find out about the settings available for each printing Recommended Graphics Settings. You can select the following printing options from the graphics tab to achieve the specified MgA. ITiniMii i ill! J. Hrti. Driver settings. To achieve. Print Quality. Color Model. Results



Draft. IBOx 180 dpi. Monochrome. Uses less ink. Output, Standard Monochrome. Slightly slower than The inconsistencies appear with check boxes. You can use the dialog box buttons to select. Using Cartridge Detection. Use Cartridge Detection if you want the driver to alert you when the installed BJ cartridge is To enable Cartridge Detection, Click on the red symbol to Cartridge Defection. If cartridge Detection cannot detect the cartridge type, it advises you to check that you If you choose the monochrome Color Model and you have a BC05 Color BJ Cartridge Performance Tip. You now have a color cartridge installed in your printer. For faster printing Printing Speed Versus Color.

The BJC4300 Printer Driver for Windows can interpret and translate the full spectrum of When printing black ink By decreasing the amount of colors that the printer driver has to interpret, you can This will speed up the For Quick Color Printing. In the BJC4300 Printer Driver for Windows, choose the following settings. These selections For High Quality Color. Select the settings shown below to allow the printer driver to interpret and translate up to For Monochrome Printing. Use the BC20 Black BJ Cartridge to optimize the printers performance when you are In the BJC4300 Printer Driver for Windows, choose the following settings to tell your Print Model Automatic. Other Ways to Improve Print Speed in Windows. To improve print speed, you can try the following. This avoids the extra step of sending the print file to the Print Manager and may Add a permanent swap file in Windows 3.1. Under the 386 Enhanced icon in the Windows Control Panel, add or create a The computer will be able to prepare See your Windows documentation for instructions. Avoid diffusion halftones. In the Custom Settings dialog box, choose Diffusion only when printing final output or In the Custom Settings dialog box, avoid Match as the Color Adjustment setting. The Although the automatic settings are easy to use, the computer must interpret the Use only one software program at a time and unload any screen saving utilities or Use Monochrome when possible. If you will be printing text in black only, choose a Color Selection of Black and White Print draft documents in Monochrome rather than Color, or use. Draft print quality when printing in color. Limit the number of colors on each page. The computer will need to calculate and transmit fewer dots. Too many colors can Use Black, cyan, yellow, magenta, blue, green, and red when possible. The computer Use the Draft print quality. The printer will need to image fewer dots. The print head will make only on pass for each printed line.

The computer will be able to prepare the print file faster. Add RAM to your computer. The computer will be able to prepare the print file faster. Paper Handling It includes. Selecting paper types. Setting the paper thickness lever. Printing on envelopes. Using Canons Specialty Papers. To ensure the best performance of your printer, youll want to select the best paper and load Selecting Paper Types. One of the most important things you can do to assure the best possible performance of your. Bubble Jet printer is to select the correct paper. Your printer produces letter quality print on However, the print quality varies with different paper types. Be Plain Paper. The printer supports paper sizes of letter, legal, and A4 in portrait orientation. You can use Always use paper without Glossy Photo Paper. Canon Glossy Photo Paper GP201 is a high gloss, thicker paper that produces the look and Use this paper with the. BC06 Photo BJ Cartridge to produce photorealistic prints from your printer. Be sure to Photo Paper loaded. Banner Paper. Canons Banner Paper is specifically designed for printing one continuous sheet in a banner High Resolution Paper. The Canon High Resolution Paper HR101 is designed to produce photorealistic quality For best results, use the optional BC06 Photo BJ. Cartridge to produce images comparable to your favorite photographs. TShirt Transfers. Use Canons popular TShirt Transfers TR101 to create and personalize Tshirts, Your image is printed in mirror Windows so when you iron it onto the tshirt the image is viewed correctly. Greeting Cards. Get the most out of your Canon Creative or other card making software with Canon. Greeting Cards GC101. These cards give your unique, personalized cards the look and feel You can create cards, invitations, announcements, and more. Bubble Jet Paper water resistant. The Canon Bubble Jet Paper LC301 has been developed for high quality printing with The paper is

specially created and printable on Fabric Sheets.

Use Fabric Sheets FS101 for Canon Bubble Jet printers to print banners, pillow covers, Transparencies. CF102 Transparencies from Canon are recommended. These transparencies produce Back Print Film. Canon Back Print Film BF102 has been specially developed for Canon Color Bubble Jet Back Print Film is printed on For more details, ask a Canon Authorized Dealer for High Gloss Film. The Canon High Gloss Film HG101 features a bright white finish that lends striking visual Use this film to make your presentation Hole Transfers. Paper Guidelines. When selecting or loading paper, please remember the following. Attempting to print on damp, curled, wrinkled, or torn paper can cause paper jams and Use cut sheet paper only. You can use multipart paper. If you need to print dense graphics, try printing on heavier Printing with a Setting the Paper Thickness Lever. To ensure troublefree paper handling, you'll want to set the paper thickness lever before RAPEH THICKNESS i EVER. Be sure check this lever when you change BJ cartridges, and before and after Note. Printer Settings for Various Print Media. Paper Paper feed. Method. Media Plain paper. Center Lett. Auto. Approx, 100. Glossy Photo Paper Auto or. Manual Right. Auto High Resolution. Paper HR 101. Center. Approx, 80. T Shirt Transfers Auto or. Manual Manual Auto. Approx. 100. Fabric sheet Auto or. Manual CFJ02 Transparencies. Auto Auto Manual Right. Manual Single. Stack. Right. Manual. Auto You can stack paper in the sheet feeder to load it automatically, or you can manually feed You can place approximately 100 sheets of plain paper 20 lb. You can stack approximately 50 sheets of transparency film or 10 sheets of back print film in If you have trouble Automatically Feeding Paper. Set the paper Pull the paper Pull out the paper For lettersize and A4size paper, extend the paper output tray. Fan the paper. For best results, fan the paper before loading it.

Always fan a stack of paper along the edge that will feed into the printer first. Slide the stack Align the edge of the paper with the right edge of the sheet feeder. Secure the stack with the paper guide. Start your print Auto Feed Guidelines. When automatically feeding stacks of paper, follow these guidelines. This may cause paper jams, smudges, or This may cause the paper to misfeed or If your printed page contains lots of graphics, the ink on the page may be damp due to The capacity of the paper output tray is 20 sheets of paper. To reduce paper jams, If this happens, clean the platen with a soft cloth. For After drying several minutes, Make sure there are no gaps between the stack of paper and the paper guide nor the Manually Feeding Paper. You use the manual feed function when printing on heavier weight print media 17 lb to 30. Set the paper If you are manually feeding heavierweight print media, set the paper thickness Start your print If you are using Windows, you must select Manual Feed in the BJC4300. Printer Driver for the printer to accept manually fed paper. Insert the single Slide the paper into the manual feed slot in the back of the printer. Align the sheet with the left edge of the manual feed slot. Hold the sheet for about two seconds until it feeds automatically. The printer will automatically load the paper into position. After printing on thick paper or envelopes, set the paper thickness lever inside the printer back to the Printing on Envelopes. You can stack up to 15 envelopes in the sheet feeder or you can manually feed envelopes U.S. Commercial number 10 COM10 envelopes and European DL envelopes are COM10andDL. The following envelopes are not recommended because they may cause jams or smears, or When you are ready to print on envelopes, follow these steps to stack envelopes in the sheet Set the paper Make sure that the paper thickness lever is set to the right.

Make sure the Prepare the THE EDGES OF THE FIAP Insert the Slide a stack of envelopes into the sheet feeder until it stops. Align the edge of the paper guide with the left edge of the stack of envelopes. Start your print Using Canons Specialty Papers. This section provides guidelines for printing on Canons Specialty Papers and describes Specialty Paper Guidelines Be sure to read any instructions that come with your Canon Specialty Paper. These instructions provide important information regarding how to achieve the For transparency film, back print film, high gloss film, and

glossy photo paper, follow these Paper Type Drying time. Canon Glossy Photo Paper GP210 10 minutes. Canon Fabric Sheet FS101 1 hour. Canon CF102 Transparencies 15 minutes. Canon Back Print Film BF102 15 minutes Dust and dirt may The relative Uncurling Back Print Film. If Back Print Film becomes curled, follow these steps to uncurl it Keep the film High Resolution Paper HR101. Using the Printers Output Tray. The paper output tray on your printer is equipped with paper output guides. When using the. BC22e Photo BJ Cartridge to print on Canons High Resolution Paper HR101, lift the Using the Cleaning Sheet. Canons High Resolution Paper HR101 is designed for high quality printing. This paper is After using a package of High Resolution.

<https://www.thebiketube.com/acros-40-hp-force-outboard-manual>