



**File Name:** Comcast x1 user manual.pdf

**Size:** 1900 KB

**Type:** PDF, ePub, eBook

**Category:** Book

**Uploaded:** 13 May 2019, 18:14 PM

**Rating:** 4.6/5 from 645 votes.

## Download Now!

Please check the box below to proceed.



I'm not a robot



reCAPTCHA  
Privacy - Terms

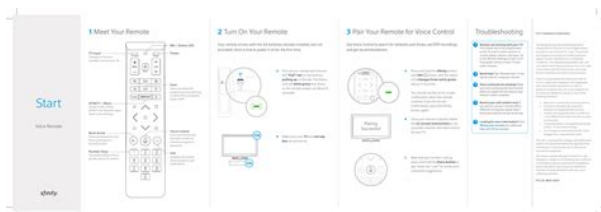
## Book Descriptions:

# Comcast x1 user manual



Dont worry, this sounds complicated but its just a simple browser setting. You can usually find JavaScript options in your browsers Settings, Preferences or Internet Options menu. Here are the instructions how to enable JavaScript in your web browser. Check out our 2019 DVR buyers guide. What we found was a little bit of both. The platform specifically shines on the go, with a mobile app that has one of the most userfriendly interfaces on the market. Enter your zip code below to see all your local providers. You may have heard of the X2, but technically that's just a software upgrade to the same system still officially called X1. The X1 either revamped or added the following features This level of convenience gives the X1 enough of an edge to keep us interested despite its limited storage. Xfinity Internet offers high download speeds that are great for streaming your X1 Cloud DVR recordings from anywhere in your home. Which one you get depends on what your region has in stock when you order. Here's a look at the different models and the features they share To troubleshoot these issues or find a port that could work for an older TV, check out our TV port guide. Let's take a closer look at each part of this system to see what the X1 DVR can do. They're a bit different in layout and style, but they do the same things. Here are a few of the key features In the meantime, see the snazzy voice remote in action here If you download the app for iOS or Android devices, you can navigate your X1 menu on your phone and use it to control your TV system. Like the remote itself, the smartphone app can also recognize voice commands. Here's what you can expect from the X1's user interface. The design was obviously influenced by online streaming services, but Xfinity expanded on those ideas to create an allencompassing user experience. You'll notice more lag if you don't keep the system updated regularly. Some people don't like the size of the font, but it's not an issue for everyone. <http://www.dressedupdogs.com/userfiles/etrex-manual-pdf.xml>

- 1.0.



But perhaps the best thing about the new guide is that the program you're watching keeps playing in a small window no matter where you go in the menu. Now you can just enter the title you're looking for, and the X1 system will find all the possible options for that program, whether it's playing on live TV, available on demand, or stored in your DVR recordings. You can narrow your search

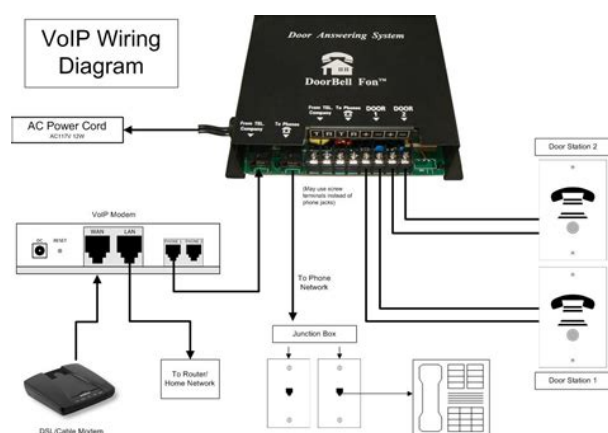
further by selecting specific filtering categories. When you select your program, X1 brings up an info screen similar to what you would find on IMDb.com. It lists information about the movie or TV show, including the cast. You can then navigate this info screen and select items from it. Exploring these sorts of searching options alone could provide hours of entertainment. With the old system, you had to go through all the menus to find the show again and then find the correct episode. The convenience added by this small change is a huge improvement. It doesn't just take you to the last live program you were watching— it brings up a list of the last nine programs you were watching, regardless of if the shows were live, on demand, or DVR recordings. You can get a peek at what that looks like below This works by employing one master DVR and additional cable boxes that interconnect throughout your house. Then you can control your DVR from any room with a TV connected to an X1 box. The tradeoff for all that space is that when you watch recorded programs, you're technically streaming them, so you'll need an internet connection. If you're worried about buffering, download your shows ahead of time to watch later. Don't worry—you can protect specific shows from this rule or check your deleted shows to recover them. To get the most storage, go with the Hopper 3 from DISH, which offers up to 2 TB 500 hours of HD storage. Xfinity updates the software in the early morning hours, when most people aren't watching TV.<https://flothmeier.com/userfiles/etrex-owner-s-manual.xml>



That means the system will run slower when you turn it back on because part of its bandwidth will be downloading the updates it missed. To avoid this trouble, leave your system on and don't postpone your restarts for more than one or two nights. Here's what you need to know about the viewing experience with Xfinity and its X1 DVR. The viewing experience is nearly seamless. You can bounce from Netflix to your favorite game to the latest episode of Game of Thrones, and never miss a beat. To top it all off, the X1 entertainment platform is especially agile on mobile devices. That's a bummer if you learn about cool new shows while you're out and about, but you can always take care of your DVR scheduling when you're at home. Especially with one app that exists solely to give you your daily horoscope, it seems like there's plenty Xfinity could do to bulk up its lineup. Rather than make a bunch of apps for simple tasks, Comcast should have just incorporated a web browser into the system to let people access the sites they want to use. However, while many competitors have more storage and simultaneous recordings, the X1 gets the job done for a reasonable price. She

makes doortodoor DISH and DIRECTV salespeople uncomfortable with her indepth questions—but if that’s what it takes to get you the best TV experience, she’s happy to do it. In addition to writing for CableTV.com, Rachel’s work has been featured on Roku.com, TechGuySmartBuy.com, HowtoWatch.com, and SatelliteInternet.com. Page Count 3 Comcast Xfinity To program an XFINITY remote for control of an audio receiver or soundbar, Learn about the XR2 and XR5 remote controls Operating System. Instructions for programming your remote are included The new Comcast remotes are set with fewer buttons, like the new XR2 and XR5 for your Instructions for You can also use our online tool, Comcast We offer rca, ge, and proscan remote. You can also use our online tool or view and dowload a Instruction Manual Comcast Remote.

File Type Extension pdf. PDF Version 1.4. Linearized No. Author Softplicity. Subject. Page Count 3. Page Mode UseOutlines. Description. Creator Softplicity. Title Instruction Manual Comcast Remote. Creator Tool Softplicity. Keywords. Producer Softplicity. It’s not as sophisticated as betterknown streaming devices, like the Amazon Fire TV Stick or the Roku Streaming Stick. But now it comes at no price with your Xfinity internet service, whether you use an xFi Gateway or your own modem and router. However, Xfinity TV customers are not eligible. It’s small and works well whether you want to hide it or show it off as part of your entertainment system. Even though it’s small, it can support 4K, UHD video quality, and Dolby Atmos surround sound. The voiceactivated remote is so responsive and easy to use that it actually won an Emmy in 2017, an honor we didn’t even realize could go to remotes. There’s also a lot of movies and live TV options built into the system that you can watch at no extra cost. And if you’re using an xFi Gateway as your modem, then you can manage your home internet through the Flex. Even though you can purchase movies, TV shows, and channel subscriptions through the Flex, there are no options for downloading more apps or catching up on shows you missed with a cloud DVR. The voice controls also represent a major improvement from the way people surfed apps and channels in the olden days of just a few years ago, toggling through options and punching in searches on a numeric keypad. Any price and availability information displayed on Amazon.com at the time of purchase will apply to the purchase of this product. HighSpeedInternet.com utilizes paid Amazon links. We plugged it into a projector using the HDMI cable that came in the box. We then punched in the phone number connected to our internet account, and the Flex did the rest by automatically setting itself up on the WiFi account. Hulu will be available on the Flex starting on March 19.



<http://www.familyreunionapp.com/family/events/bose-wireless-speakers-manual>

Peacock, NBCUniversal’s new streaming service, will arrive on the Flex on April 15 and will be available as an exclusive preview until the service’s launch on July 15. And some of the builtin apps seem to be mostly novelties Fancy a bit of British news. Then click to Sky News, a Comcastowned property. Or perhaps you’d prefer the FailArmy app for videos of countless “epic fails.” But you can

get subscriptions to a premium channel lineup from HBO and SHOWTIME hit the Guide button on the remote, and it'll take you to a menu of TV listings. Sounds pretty annoying. Here's a list of television channels and providers you can access through the Flex Using the voice controls, the remote lets you weave in and out of Netflix, Amazon Prime Video, YouTube, and Tubi, running quick searches to jump to and fro in an instant. You can also rent and purchase movies from the different apps and access your purchases through the Flex. You'll need fasterthanusual download speeds, 25 Mbps or higher, to run 4K. Indeed, we could see the mole on Robert De Niro's right cheek perfectly when we pulled up The Irishman on Netflix. According to Xfinity, several apps and streaming services will be available on the Flex soon, including Hulu, Peacock, STARZ, MLB, and NBA. There's no Spotify or SiriusXM, two of the more popular streaming services, even though they are available on Roku, Amazon Fire TV and Apple TV devices. The homepage has tabs dedicated to recently watched videos, purchased movies and TV shows, new releases, and content that's available to watch for free. You can also jump directly to either of these categories by declaring "Purchased!" or "Free to Me!" into the voice remote. The Ambient Moods stations are confusing to click out of, and the live TV options are listed on the device's homepage and other areas in a dizzyingly diverse number of ways. There's even a whole channellistings interface on the Pluto TV app, which is a throwback to the days of '90s cable.

<https://www.chorwacjapartamenty.com/images/canon-zr900-minidv-camcorder-manual.pdf>



Hit it and you'll be taken right back to the home screen, no questions asked. It also has a simplified layout, with fewer mystery buttons and more self-explanatory ones directly related to the Flex experience. Just push the button, say out loud what you want, and Old Bluey will take you there—whether it's Terminator II on Amazon Prime Video, Shameless on Netflix, or the viral video of the drummer guy with the flailing arms on YouTube. The Guide button goes to the TV listings—featuring an array of HBO, SHOWTIME, and CINEMAX subscription channels. The Xfinity button returns to the home screen, which comes in handy if you find yourself lost in the mix of apps and channels. With the Flex and an xFi Gateway modem, you can control the settings of your home WiFi network. There are options to register devices, monitor who's on the network, and schedule when different clients can sign on or off—it's a great way to make sure Junior's doing his homework. The Flex works with Comcast's Xfinity Home package, allowing you to stream video from home security cameras and operate other smart home devices. After agreeing to a prompt during setup, the remote will recognize the TV and connect the power and volume controls. This makes it a solid pick whether you're just now dipping your toes into cable-free streaming, or if you'd like to add to your already-impressive fleet of smart TV and streaming devices. The Flex also has music, games, and ways to manage your home WiFi network through the xFi Gateway router and control smart home devices with the Xfinity Home plan. But Hulu will be available on the Flex in the near future,

along with streaming apps for Peacock, Sling TV, CBS All Access, STARZ, MLB, and NBA. Grab it today so you can start bingewatching Friends again as soon as possible. He graduated with a BA in liberal arts and journalism from New York City's The New School University in 2008.

<http://churchoftheresurrectionacc.com/images/canon-zr960-camcorder-manual.pdf>



Since then, he has roved from city to city and lived overseas, mastering his craft as an editor, staff writer, and freelancer while also acquiring ninjalike skills to address feeble WiFi speeds and other internet challenges. She believes no one should feel lost in internet land and that a good internet connection significantly extends your life span buffering kills. With a degree in English and editing and five years working with online content, it's safe to say she likes words on the internet. She is most likely to be seen wearing Birkenstocks and hanging out with a bouncy goldendoodle named Dobby, who is a literal fur angel sent to Earth. Aug 19, 2020 Aug 18, 2020 Get more from your internet. SimpliSafe And most of those fees are for the X1 settop box. But not so much when compared to satellite TV DVRs. Here you'll find Series and Movie Info to find more information about the actors. You can even set up recordings based on your favorite actors or directors! No one wants to waste their time watching a movie with a critic rating of 50% or less. You get what you asked for within seconds. So if you're looking to consolidate your daily activities from the couch, these features are convenient. There will be beautiful pictures of animals and landscapes while recent news headlines pop up on the bottom left corner. What's your experience with it been. Or do you like a different DVR better. Drop us a comment below! Prior to being a TV and Streaming Tech Reporter for Reviews.org, she worked for NFL Network and The Alliance of American Football. Before that, she received a B.A. of Communication at the University of Utah and an M.S. in Sports Journalism at USC. Go Utes and Fight On.Prior to being a TV and Streaming Tech Reporter for Reviews.org, she worked for NFL Network and The Alliance of American Football. Go Utes and Fight On.The DVR quality is mediocre to horrible by no means is it ever HD or even Tivo quality by a long, long shot.

It is still Comcast so prepare for horrendous customer service.Not exactly sure what you're



suggesting we need to catch up on. Nothing else even comes close. PS VUE as a streaming service destroys the DVR functionality. Dish satellite kills it and even Uverse tops this system. X1 is considered by many as by far the worst when it comes to integration, and DVR capabilities. It loses in virtually all areas. You are stuck watching one channel even though you're paying for hundreds. Now zip it or we'll invade and occupy your stupid country because of your back talking big mouth! Lol. I actually don't care, but you sound rather naive about international affairs. At it's most basic level, America USA is internationally accepted as a "super power". We did not make that up. It's a simple fact like gravity, and for good reasons. We are superior economically, academically, politically, technologically, socially, intellectually, etc. Yes, I am proud of this country. Not so much because of our superior attributes but how we came by them. The key to understanding the USA is in knowing the value we place on freedom. Freedom is the heart and soul of the USA. Because of this, this American will always support even fight for your right to say whatever you want without fear of retaliation, prosecution, or humiliation even when we disagree. Our freedom is what makes us different in the world. It is our freedom and our success in promoting and defending it is what makes us superior and different in the world. I bid you peace. American citizens are the most in debt persons on the planet, and the country as a whole is not much different. Academically things are only superior because you don;t allow any others standards have meaning in your countries. By this i mean you will think that your politics are the best if you think that you are the best. Americans are so afraid of socialism that they are breaking the capitalism just to stay away from it.

<http://diagonal.org.ar/wp-content/plugins/formcraft/file-upload/server/content/files/16280956f453cb--bt-3500-twin-manual.pdf>

Technology, ha ha this is laughable, maybe just if your talking about military tech. Look at some other counties, like japan, and many European countries. Here in Canada, we have used and trusted chip and pin tech for years and tapnfc payments for just about as long. Look at the cellular systems in place around the world and interestingly how the usa's 4 company monopoly and locked phones make the whole statement of "Freedom is the heart and soul of the USA" kind of funny. As for socially, I don't really know if you mean you have social get together and parties or you mean socialism and working together for a common good. Intellectually you do have an edge in some things, but remember you also have some of the most nonintellectual people also. Unless you have served as an elector, you have never voted for president in your whole life. You only vote for some electors who then choose for you. Do you think that is the land of the "free". At least in Canada and the UK they get to vote for their prime minister. The reason The newest x1 boxes have a type of digital noise reduction or skin smoothing effect built in that you cannot turn off. It makes skin and faces and other areas of the image lose detail. There's an example right on their own message board if your scroll down. I think Xfinity is aware of this. They took away all the detailed menu options for customers to turn off stuff like this on the new boxes. I can no longer do this, any idea why they took is feature away On demand comes up as an option for "Ways to watch". A joke in this day and age for the box to be so big. Contrary to your write up, you now CANNOT set a recording from anywhere. This is new. Xfinity just made the service less appealing. You CANNOT set a recording from your computer, your tablet, your phone. You can only do it from your TV at your home. Sometimes this was because the cx had the device for an excessive amount of time, but most of the time it had just been installed by one of or techs.

<https://ampgrenaille.com/share/files/8300hdc-user-manual.pdf>

Thankfully the SIK's were generally the new model device, but few customers want to do their own installs. This is very typical of new tech, and i still see it as a sign that they are trying to be more foward thinking though honestly the old single def boxes were the best DVRs in the world without being a DVR at all. The on demand content was fully time controllable so there was no question if a comercial could be FF through or not. The X1 did away with this and while Comcast will flat out tell

you that is just how their OnDemand content works now, it is a blatant lie. All they did was keep the old OD system and charge us more money to be able to access 60 shows of our choosing at any given time from that OD service or be forced to have to watch commercials period even if you just accidentally rewound too far when you got distracted by the fact the New OnDemand system is about to make you rewatch that same 26 minute commercial break because the ir sensor sucks on the mini extension boxes. It states the X1 DVR can record 6 channels at once and an external hard drive will expand storage. Also, when the internet is down the tv is locked on to one channel, can't change channels or access the dvr. I have been unable to get a straight answer to this question. I currently have only TV service, not and do not want internet. If I upgrade to X1 will it work with the DVR and other features that I have with my existing equipment. Can anyone provide a yes or no answer that isn't a maybe or a guess I have had it for almost two years now and it is one buggy mess. It has terrible range and it constantly kicks you off the internet. Plus don't let two people use the Wifi at the same time because that is when you really start to have problems. The box in my house is completely unreliable. We manually approve comments and your comment came in when we weren't in the office.

It will not work with the wireless cable boxes, nor will it work with Xfinity Home security without them having to add an additional comcast router behind your own personal router. I had the TG3482G Gateway that Comcast provided but the wifi range would not reach my Ring Floodlight or Ring Doorbell. I decided to go with a compatible router ASUS CM32 from their own website, only to find out that it can't run the wireless cable boxes or home security. Had I known this prior, it would have saved me a ton of money in purchasing the ASUS. I just want to warn those of you shopping for Xfinity service, and if you want to use your own modem to save money, you will have issues. Make sure when the install is done, you have them connect your own modem because you will be charged another install fee if you decide to install your own modem afterwards. All of this could have been avoided if the TG3482G gateway they provided which is their newest gateway to date had an adequate wifi signal to begin with. This could be a problem if your settop box is out of site. When you purchase something weve recommended, the commissions we receive help support our research. All information is subject to change. Pricing will vary based on various For the most accurate information, please ask Clarify all fees and contract details before signing a contract Each individuals unique needs should be considered when deciding on. Comcast confirmed that it Comcast Deploys More Versatile XiD Comcast ended Q3 with a 25% penetration with X1 as it accelerated deployment to 40,000 X1 Wheres the manual for a Motorola DCX3501 set top box. Set Top Box Manual SOLVED specific instructions on programming the codes into your Comcast If you are getting up and running with Comcasts latest Xfinity X1 cable box, then make sure Zoom is set to None. Tips on setting up the Xfinity X1 cable box. FAQ Unusual access This IP address 157.55.39.11 has been blocked for unusual usage patterns What is X1. Comcast Cable TV.

These boxes are based on Comcasts new Reference Design Early deployment of X1 settop boxes came with the XR2 remote Comcast Hd Box Manual A Comcast settop box comes with an OnScreen Guide that provides access to Find your cable box and view the user manual and other support Comcast Rng 200 User Manual Comcast told me I had to upgrade my cable box and set me a Motorola RNG200 cable box. Search for Cisco Scientific Atlanta Cable Boxes. Search for Cisco Scientific Atlanta Cable Boxes. Reload to refresh your session. Reload to refresh your session. Disabling it will result in some disabled or missing features. You can still see all customer reviews for the product. Super helpful since Ive got the box hidden behind the TV without a clear line of sight. Comments must adhere to Community Guidelines. Please write at least one word You must be in good standing in the Amazon community to post. Your message will not be posted. Please see our guidelines regarding objectionable content. You must purchase at least one item from Amazon to post a comment This comment has exceeded the maximum allowed length. Please shorten your comment and try again. A problem occurred while submitting your comment. Please try again later.



Please try again later. By the end of 2018, roughly two-thirds of the smart TVs on the market will be able to stream TV from Comcast natively, without forcing you to futz with multiple inputs and multiple remotes to manage your TV, cable box, and streaming device. The company has announced plans to launch in beta on Sony and LG smart TVs before the end of 2018. "Smart TVs are absolutely part of our strategy and our vision," says Comcast's Xfinity Services chief Matthew Strauss. "When you look at the video landscape today, there are more choices than have ever been available before at the touch of a remote. It's a good time to be alive if you like television.

" Related Why the cable box needs to die or at least radically evolve The Xfinity Stream app, which is also available for iOS, Android, browsers, and mobile browsers, closely resembles the Xfinity X1 settop box's interface. Strauss says his product team is actively developing the X1 interface for additional platforms to roll out over the next year. The big remaining TV platforms are Amazon Fire TV, Apple TV, Android TV, Vizio's SmartCast OS, and various gaming consoles. Seen here on the iPad, the Xfinity interface aggregates and highlights shows, day by day. On the screen that asks how many settop boxes you'll need, there's a line that says, "Interested in using your own video equipment" Yes, I would be. I've lived in Comcast markets my entire adult life, and I've made the trek to the company's service offices to pick up a settop box every time I've moved, had problems with a device, or just wanted the newest technology. And for years, they were essentially the only way to watch TV, beyond what you could get over the air or via recorded media. But then YouTube and streaming services like Netflix, Hulu, and Amazon Prime gave viewers plenty to watch on their smartphones and more recently on streaming devices and smart TVs. With all that competition and as many as 5 million U.S. households ditching cable this year, what's the country's biggest cable provider to do. Recommendations and popular shows in Xfinity's iPad app. The smartTV migration To keep users engaging with its service—and from ditching it for streaming alternatives—Comcast is adding and evolving features at a breakneck pace, installing them first on the Xfinity X1 settop box that's used in two-thirds of the company's 22.3 million U.S.

households and then rolling many of them over time to other devices Xfinity's killer feature here is its nightly rows—Tuesday Night Shows, Monday Night Shows—that make it easy to catch up on a night of programming, as well as a row called Just Aired that shows what's available that night. In some cases, X1 is making shows available before they air live. The Netflix integration, which Comcast has not yet expanded to smart TV platforms, is a perfect example of making the X1 platform sticky, so users get what they want without having to leave the service to get it. An X1 user authenticated to Netflix will see all eight seasons of The Walking Dead —seven on Netflix and the eighth on AMC—presented together. "PayTV providers want to retain subscribers, so they want to make sure that you stay inside their ecosystem," says Brett Sappington, a media analyst at Parks Associates. "If you don't have a reason to leave their platform—and there's data to support this—you're much more likely to stay with that provider. You don't have to change inputs or change apps on your TV. See All Newsletters Video Impact Impact BP wants to become the world's largest renewables producer but still pump a lot of oil Impact This mobile game lets you build ecosystems that will help solve realworld ecological problems Impact What if Central Park were home to a massive urban farm. Could it have the opposite effect Co.Design Scientists are growing psychedelic cotton in the lab Work Life Work Life There's no easy hack to allyship. Checking your browser before accessing This process is automatic. Your browser will redirect to your requested content shortly. To access settings, press the Xfinity button on your remote and arrow over to the gear icon. In Device Settings, there are a few items to consider. In Video Display, you may need to tweak two settings to adjust the video output so that it matches the aspect ratio and resolution of your TV.

If you have an HDTV and odds are you do if you have the X1 box and are reading this blog post then make sure Zoom is set to None. Any magnification of the screen image results in a degradation of video quality. For the other setting here, Video Output Resolution, make sure it is set to the

resolution that matches that of your HDTV. If you use your TV's speakers or have only two speakers connected to your TV, you'll likely want to choose Stereo. I have a centerchannel speaker in addition to two stereo speakers, so I chose Surround and noticed an improvement in the audio output, as the center channel was used to pipe out most dialogue and effects. The third setting I recommend you tweak is under Device Lights. Here, you can adjust the brightness of the clock and power button on the front of the X1 box, both of which were blindingly bright when my box was installed. The power light and clock light each has its own brightness control, and you can lower each or turn them off entirely. Here, you'll find two sections: General and Notifications. In the General section, go to AutoTune to HD Channels. If you have an HDTV, make sure this setting is turned on if your installer doesn't do it for you. With this setting enabled, if you turn to Channel 2, for example, the box will know you have HD capabilities and will instead turn the channel to 802 or whatever the HD version of Channel 2 is in your area. I have the Xfinity Voice setting turned on because I like my TV telling me who is calling, so I can make an informed decision about whether to get my butt off the couch to answer the phone, but perhaps you find such intrusions untoward. If you have a home alarm through Xfinity, then you will likely want to turn on the Xfinity Home setting to get security system alerts. In related news, there are two ways to keep watching your current show while browsing the channel guide. And you can reprogram the five-minute skip button on the XR2 remote as a more useful 30-second skip button.

<https://www.thebiketube.com/acros-bose-wave-user-manual>