

Capresso cm200 manual



File Name: Capresso cm200 manual.pdf

Size: 1751 KB

Type: PDF, ePub, eBook

Category: Book

Uploaded: 13 May 2019, 12:46 PM

Rating: 4.6/5 from 834 votes.

Download Now!

Please check the box below to proceed.



I'm not a robot



reCAPTCHA
Privacy - Terms

Book Descriptions:

Capresso cm200 manual

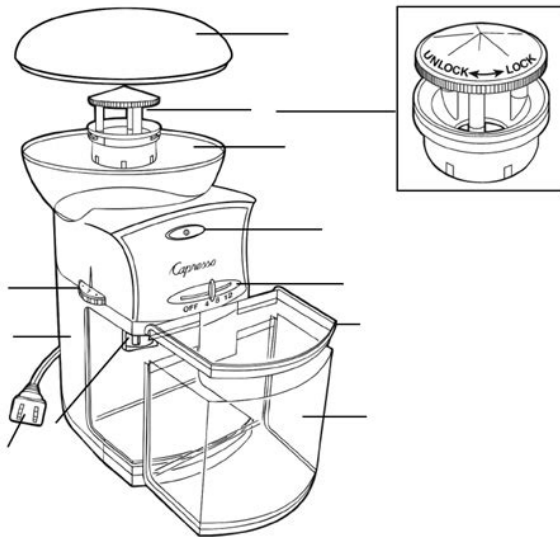


Immediately replace the carafe and wait until all the coffee has been filtered in the carafe. Now remove carafe and remove the Filter holder. Please check your inbox, and if you can't find it, check your spam folder to make sure it didn't end up there. Please also check your spam folder. Use handles or knobs. Allow it to cool before putting on or taking off parts, and before cleaning the appliance. Return appliance to the nearest authorized service facility for examination, repair or adjustment. To disconnect, turn any control to "off" then remove plug from wall outlet. As a safety feature, this plug will fit in a polarized outlet only one way. If the plug does not fit fully in the outlet, reverse the plug. If it still does not fit, contact a qualified electrician. Do not attempt to defeat this safety feature. Any servicing other than cleaning and user maintenance should be performed by an authorized service representative. No user serviceable parts inside. Repair should be done by authorized service personnel only. Use cold water only! The charcoal water filtration indicator takes the guess work out of replacing the charcoal insert at the right time. The removable water container makes filling convenient. Please read all operating instructions before using your CM200.

Understanding and complying with these directions is essential to ensure that the machine is utilized without risk and to ensure safety during operation and maintenance. Feel free to call at any time. If you are connected to our voicemail, PLEASE DO NOT HANG UP. Leave your name, telephone number and time to call back. Your information will help us to better serve you. Call us 8007673554 The amount of time the water is in contact with the coffee grounds directly relates to the final taste of the brew. All Capresso coffee makers brew coffee in less than one minute per cup which means coffee will never be over extracted or

bitter. <http://pechati-piter.ru/userfiles/dynatech-nevada-215a-manual.xml>

- **capresso cm200 manual, capresso cm200 manual, capresso cm300 manual, capresso cm200 manual instructions, capresso cm200 manual download, capresso cm200 manual pdf, capresso cm200 manual transmission.**



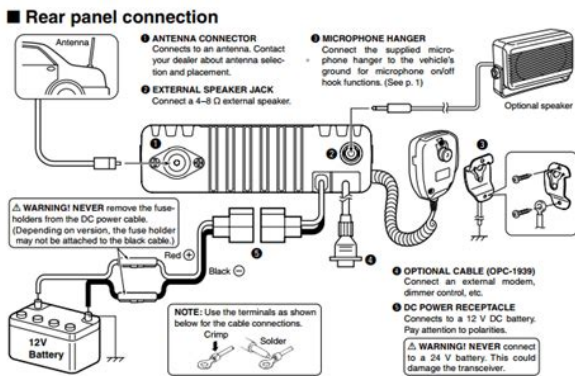
Latte Rewards The end result is balanced, complex, and—if you're lucky—a meditative state. Discover the nuances of coffee brewing and get the right brewer for you. Know their burr type, materials, and the features your machine needs to brew a consistent shot. Get 10% off coffee with code BEANS10. Coffee packages and samplers excluded. Not eligible on Closeout Deals. Check our support wiki for part diagrams and guides to help troubleshoot issues. Franke Frieling Fuego Coffee Roasters Gaggia Gimme. Coffee Grimac Royal Falcon Handpresso Hario Harold Import Company illy IMS J Martinez Joe Bean Joe Frex Jura Keurig Kimbo Espresso Italiano KitchenAid Konitz Porzellan Krups La Cafetiere La Marzocco La Pavoni La Spaziale Lavazza Mahlkonig Maromas Mazzer Nespresso Nifty Home Products notNeutral Nuova Simonelli Pallo Parisi Artisan Coffee Pasquini Primula Profitec Quamar Quick Mill Rancilio Rancilio Egro Rattleware Ritzenhoff Rocket Espresso ROK Saeco Schaerer Segafredo Zanetti SSP Grinding Solution Teaposy Technivorm Torrefazione Settebello Trinidad Coffee Urnex Vitrifrigo Waechtersbach Whole Latte Love Yama Top Grinder Brands Ceado Eureka Baratza Mazzer Quamar Top Coffee Brands Lavazza Illy Maromas Filicori Zecchini Joe Bean Top Accessory Brands BWT Acaia notNeutral IMS Joe Frex Ancap View All Brands Peruse a collection of powerful superautomatic and semiautomatic machines designed for professional use. Let us help you. Efficient and affordable, the Capresso CM200 Programmable Coffee Maker can make a full 10 cups of coffee in less than nine minutes. But, if you only expect to make a few cups a day for personal consumption, the CM200 can deliver as well. When brewing a smaller volume, this coffee maker has a dedicated setting to preserve the flavor and aroma of your beverages. Back To Archive. Even though parts may look the same, there are often variances in similar parts and it is important to buy parts that fit your specific model. Please try again. <http://aadhaarretail.com/administrator/imagetemp/dynatech-nevada-453a-manual.xml>



Select the series that matches your model number. Try checking the product description for more information. Our payment security system encrypts your information during transmission. We don't share your credit card details with thirdparty sellers, and we don't sell your information to others. Please try again. Please try again. Register a free business account Please try your search again later. Click here to make a request to customer service. To calculate the overall star rating and percentage breakdown by star, we don't use a simple average. Instead, our system considers things like how recent a review is and if the reviewer bought the item on Amazon. It also analyzes reviews to verify trustworthiness. Please try again later. They are activated charcoal inside a filter shaped like a little plug. Water has to travel through it before it is heated and showered over the coffee grounds. The activated charcoal reduces the chlorine taste of the water, which can give coffee an off taste, depending on how strong it is. The filter keeps the charcoal contained, but also keeps any stray coffee grounds that may have made it into the water chamber from landing on the heating element. Activated charcoal does have a shelf life, and will absorb odors from the air if you don't keep it tightly wrapped, so don't buy too many of these in advance or they won't stay fresh. Just a quick rinse of filter to remove initial charcoal release before placing in the water reservoir and good to go. If you use tap water, the filter is a wonderful idea. It removes impurities and chlorine before the water is heated. The manufacturer's recommendation is to change filters every 6 weeks or 60 pots of coffee. I usually change them every two months, or so. I imagine the effectiveness of the filter may depend on the quality of the water you use. I haven't had a problem yet. Usage tip Each filter is individually wrapped in plastic to keep it fresh until opened.

When you open a filter, first soak it in cold water for about 15 minutes. Then rinse it under running water for another minute or two until the water dripping from the filter is clear. If you still see black particles dripping from the filter, run a pot of water through the coffee maker, with the new filter inserted, without coffee beans and discard the water afterward, or use the water for plants when it is cooled, of course. It is true that charcoal filters remove some of the natural flavors of water, but it also removes a crapload of the bad stuff and chlorine and stuff that politicians think it is smart to put in the tap water. Spend the money on the real thing, folks. This one works as advertised. Sorry, we failed to record your vote. Please try again Store where purchased no longer in business. Sorry, we failed to record your vote. Please try again Sorry, we failed to record your vote. Please try again In order to navigate out of this carousel please use your heading shortcut key to navigate to the next or previous heading. Please enable JavaScript in your web browser. I haven't tried it hot yet, but would imagine it also making a great latte. I work in the area and Googled where I could buy a French press and your store came up. I really felt like he went out of his way to help and he made it a nice experience. I hope they get a chance to stop by your store too. Fast and complete answer to all

my questions. The employees are such polite and nice. The price are fair and low. Thanks for your help ill certainly order many more times with Espresso Planet. Joining forces with Jura to provide top quality espresso machines and coffee makers. Capresso burr grinders are also top notch. All Rights Reserved. Johns British Columbia Alberta Saskatchewan Manitoba Quebec New Brunswick Nova Scotia Newfoundland. If you want NextDay, we can save the other items for later. Order by, and we can deliver your NextDay items by.



<https://www.becompta.be/emploi/bosch-pof-1300-ace-user-manual>

You won't get NextDay delivery on this order because your cart contains items that aren't "NextDay eligible". In your cart, save the other items for later in order to get NextDay delivery. Oops! There was a problem with saving your items for later. You can go to cart and save for later there. All Rights Reserved. To ensure we are able to help you as best we can, please include your reference number Feedback Thank you for signing up. You will receive an email shortly at Here at Walmart.com, we are committed to protecting your privacy. Your email address will never be sold or distributed to a third party for any reason. If you need immediate assistance, please contact Customer Care. Thank you Your feedback helps us make Walmart shopping better for millions of customers. OK Thank you! Your feedback helps us make Walmart shopping better for millions of customers. Sorry. We're having technical issues, but we'll be back in a flash. Done. Please try again. Please try your search again later. You can edit your question or post anyway. Amazon calculates a products star ratings based on a machine learned model instead of a raw data average. The model takes into account factors including the age of a rating, whether the ratings are from verified purchasers and factors that establish reviewer trustworthiness. It worked well otherwise, but I was disappointed that it is all plastic and cheap plastic that can break easily at joints. Getting the coffee pot to sit under the drip mechanism is difficult. It does not go in smoothly. The coffee it makes still meets Capresso standards. I have had my past Capresso with coffee grinder, etc. The new coffeemakers do not meet the standards of the past. Things are made to be disposable. Unfortunate. Sorry, we failed to record your vote. Please try again The digital clock works, so its getting power, but wont brew doesnt make a sound. It worked for just three months.

<https://www.cbiinc.org/images/c350-service-manual.pdf>



Why Because the lid of the carafe cant be removed so its hard to clean and drain, the basket holder cannot be removed for cleaning, and its hard to get the water container properly seated. And in the end, the coffee is just soso. Definitely not worth it. Sorry, we failed to record your vote. Please try again I have had Capresso prior for about 7 years and unfortunately broke the glass carafe. Ordered this coffeemaker as a replacement. Particularly like having a removable water dispenser. Most do not have this feature. Has a nice 35 cup feature as well for small pot of coffee. Sorry, we failed to record your vote. Please try again After being extremely unhappy with another maker, I was excited to find that this one is perfect. Its easy as pie to see how much water you have in the reservoir due to the nice clear tank. None of those hard to read gauges with the stupid ball that never floats right here. The controls are all simple, as well as easy to read with large text. I didnt even need to read the manual to figure out how to program the time and the autoon timer. Also, the coffee that this machine produces is RICH, strong and HOT. HOT, HOT, HOT. As someone who puts his coffee in a travel mug and likes to sip it for hours, this has to be the best thing about it. The last thing I have to say is how easy it is to clean, everything detaches for easy washing, including the water reservoir, unlike my previous machine which forced me to use wire brushes and other nonsense. My hand fits right in this one with a sponge. Sorry, we failed to record your vote. Please try again It was great for a few weeks and then the top section that swings out and holds the coffee filter, stopped lining up with stationary part of the coffee maker. It makes steam leak onto the hot plate and sizzle, and the coffee pot is quite noisy. It still makes pretty good, very hot coffee. I like shape and pouring of the carafe, its easy to use. Sorry, we failed to record your vote.

<http://www.compass-it.com/images/c351-manual.pdf>



Please try again This fact encouraged me to get their coffee drip machine as I trusted their coffee brewing expertise. Unfortunately, this machine is not offering any quality, except for the outer appearance. The coffee does not taste or smell aromatically, condensed water keeps running down the filter and main body while the readily brewed coffee is sitting in the pot. This machine needs more coffee powder than all the other drip machines I had so far and I had several throughout my life. I am from Germany where drip machines are very popular and offer good quality machines. I returned this item after using it for more than 2 weeks on a daily basis. Sorry, we failed to record your vote. Please try again My problem is the end user myself My problem is the end user myself. I love my coffee piping hot. I even boiled water and poured it in the back to make my coffee hotter. It is a very nice looking coffee maker; however, after a months use I repacked it and drug out my old Braun. Sorry, we failed to record your vote. Please try again Most of the reviews were 4 to 5 stars and the only complaints were about the carafe sometimes leaking. I havent had any issue with the carafe leaking, but, now after having this coffee pot for 7 months, the coffee tastes terrible. It gets plenty hot, but, now the coffee brews very cloudy and the taste of the coffee reflects it. I cannot tell why this has happened. But, I cannot recommend this product. Sorry, we failed to record your vote. Please try again After having it for only a few months the plastic handle for the cone filter has broken already. It is light and feels cheap and based on the breaking handle, it is cheap. Sorry, we failed to record your vote. Please try again Thinking of ditching my more expensive Kitchen Aid machine and buying another one of these for the vacation home. Sorry, we failed to record your vote. Please try again Needs some water filters to keep water clean, but it is not expensive.

Good for everyday morning coffee. Sorry, we failed to record your vote. Please try again I especially like the disposable filter for the Water. You get 60 pots of coffee before it gives you a signal light that it needs to be replaced. The Digital Display is nice and bright and also large for easy viewing. So far, very reliable and the best part, not expensive at all. It has more features than any I considered in this price range. Sorry, we failed to record your vote. Please try again Stylish looks. I would recommend it completely. Lets see how long it lasts though. Sorry, we failed to record your vote. Please try again. If your original has broken, or you would just like a spare, this is the 10 Cup Carafe for you. Capresso part number 4444.01. If your original has broken, or you would just like a spare, this is the 10 Cup Carafe for you. Your input is very much appreciated. Share it with your friends so they can enjoy it too. Facebook Twitter Google Please upgrade your browser or activate Google Chrome Frame to improve your experience. Please email us if youre running the latest version of your browser and you still see this message. The actual Open Box product may differ in packaging and included accessories, but has been tested to ensure basic functionality. Most customers receive within 49 days. Click here for more details. Secure shopping made faster. Check

out with PayPal. Some manufacturers place restrictions on how details of their products may be communicated. Some manufacturers place restrictions on how details of their products may be communicated. Some manufacturers place restrictions on how details of their products may be communicated. We will maintain our regular standard of careful packaging of glassware. If an item is damaged during the shipping process we will replace the damaged part.

<http://www.inhd.com.br/wp-content/plugins/formcraft/file-upload/server/content/files/16272bc7faebd0---breville-vhb014-manual.pdf>

The porcelain pourover dripper comes in a beautiful, crisp white color and even includes a mug. The inside of the mug is a gorgeous steel gray color and has a 12 fl. Oz. capacity. The lid is made of a smooth matte black polypropylene and has the special Bodum safety and aroma seal to keep your coffee warm for a longer time. This french press differs from the classic Brazil model in the shape of the lid and handle. The classic has a more domeshaped lid whereas this one has a more sleek, flatter shape. The handle in this newer model is also curved for a modern look and ease of pouring. The domed lid is made of a smooth, matte black polypropylene and offers the special Bodum safety and aroma seal to ensure your coffee stays warm. The design has not changed a bit from the original drawings, and Bodum still makes the Chambord with the same painstaking care and knowledge learned from those proud craftsmen in windy Normandy. Simply fill the ice chamber with ice cubes or chipped ice to chill the coffee as it brews. Elegant glass carafe with spout for easy pouring The Yama Drip Pot uses sock filters made of longlasting reusable cotton, held in place by an easygrip wooden handle. Flavourful coffee oils pass through the filter into the cup and retain their taste without the palatestifling nuisance of sediment. We will maintain our regular standard of careful packaging of glassware. If an item is damaged during the shipping process we will replace the damaged part. Instead of standing in line at the local coffee shop, you can make it in the comfort of your own home while getting dressed and ready for the day. It really is as simple as pressing a button to heat the water in a kettle. The ground coffee goes in the mug and, during the four minutes it takes to find your keys, develops to its full aroma. Press down the plunger and out the door you go. The double wall mug keeps your coffee hot even while you wait for the darn bus on a snowy winter morning.

<http://basumati.com/app/webroot/ckfinder/userfiles/files/8-in-1-universal-remote-control-manual.pdf>

All parts are dishwasher safe. Due to safety reason, the mug is not leakproof because of possible over pressure. To prevent oxidization of the coffee oils, place the filter in a container with clean water and store it inside your refrigerator. A year later, Alan produced the Aeropress the proud end result of his persistence and design ingenuity. This avoids the bitterness of long processes such as drip brewing and French press steeping. Laboratory pH testing has measured the acid content of an AeroPress brew as less than one fifth that of regular drip coffee and less than one ninth that of French press coffee. The low acid result is confirmed by coffee lovers who report that coffee brewed by an AeroPress Coffee and Espresso Maker is easier on the stomach. A solid steel frame protects the glass from knocks and bumps, and the round handle makes it easy to carry more than one at a time. All parts are dishwasher safe. The Chemex is elegance par excellence and for this, it has earned a place in the permanent collection of the Corning Museum of Glass in New York the worlds largest glass museum. The Chemex was also selected by the Illinois Institute of Technology as one of the 100 best designed products of the modern era. The Chemex is also perfect for iced coffee and coffee flavouring for gourmet recipes. Note the glass stopper to preserve heat is especially recommended. One side should have three layers. Place the cone in the top of your coffeemaker with the filters thickest portion toward the pouring spout. If you prefer stronger coffee, use more; there is never any bitterness in coffee brewed using the Chemex method. It should now be at about 200F, a perfect brewing temperature. Pour a small amount of water over the coffee grounds, just enough to

wet them without floating. Once the desired amount of coffee is brewed, dispose of the spent grounds by lifting the filter out of the coffeemaker. And that's it! You are now ready to enjoy a perfect cup of coffee!

The Chemex hand blown models, first produced in the 1940s, are recognized today for their exquisite design and craftsmanship. The Chemex is elegance par excellence and for this, it has earned a place in the permanent collection of the The Corning Museum of Glass in New York the worlds largest glass museum. The Chemex was also selected by the Illinois Institute of Technology as one of the 100 best designed products of the modern era. Not just decorative, the collar serves as an insulated handle. The Chemex is also perfect for iced coffee and coffee flavouring for gourmet recipes. Note the glass stopper to preserve heat is especially recommended. One side should have three layers. Place the cone in the top of your coffeemaker with the filter's thickest portion toward the pouring spout. If you prefer stronger coffee, use more; there is never any bitterness in coffee brewed using the Chemex method. It should now be at about 200F, a perfect brewing temperature. And that's it! You are now ready to enjoy a perfect cup of coffee! The original Moka has since become a style icon, displayed in modern industrial art museums around the world. This latest incarnation of Bialettis timeless classic serves up a giant of coffeemaking excellence in a small, refined package. The Bialetti Moka Stovetop Espresso Maker includes a flipup top with an easygrip knob, a staycool black plastic handle, and a sidepour spout. And it packs a lot of brewing muscle into tiny quarters. When not in use, the brewer folds down to a mere 61mm x 108 mm inside a hard carry case to protect your tiny brew boss at all times. It features a compression chamber made of durable foodgrade silicone that works like an accordion and an easytoclean, ultrafine reusable stainlesssteel coffee filter. Use paper filters if you choose to the Kompact is compatible with AeroPress paper filters this will produce an even cleaner, softer taste. Super easy to clean empty grounds and rinse.

No scales needed The original Moka has since become a style icon, displayed in modern industrial art museums around the world. The Bialetti Moka Stovetop Espresso Maker includes a flipup top with an easygrip knob, a staycool black plastic handle, and a sidepour spout. Aluminum body Made in Italy The original Moka has since become a style icon, displayed in modern industrial art museums around the world. The Bialetti Moka Stovetop Espresso Maker includes a flipup top with an easygrip knob, a staycool black plastic handle, and a sidepour spout. An ecofriendly design ensures no batteries are required and the units etched stainless filter is reusable. For warranty claims or further inquiries, call Faema Canada at 4165351555. Brews around 120ml of coffee. Although the Miniphon makes just one cup per brew, the result is quite remarkable. We will maintain our regular standard of careful packaging of glassware. If an item is damaged during the shipping process we will replace the damaged part. For warranty claims or further inquiries, call Faema Canada at 4165351555. They're always on your counter, always plugged in and always ready to brew the perfect cup of coffee. This may result in an extra shipping cost or refund in shipping cost if the final freight differs significantly from the cost estimate given initially by our website. See Shipping Notes. Features This may result in an extra shipping cost or refund in shipping cost if the final freight differs significantly from the cost estimate given initially by our website. See Shipping Notes. Speed Brew Coffee Makers can brew 10 cups of coffee in about 4 minutes because they store hot water in a Stainless Steel Commercial Grade tank allowing them to Brew Coffee on Demand. They're always on your counter, always plugged in and always ready to brew the Perfect Cup of Coffee. Features Heat N' Brew features a digital clock with programmable brew start time.

The Perfect Cup of coffee will be ready about 10 minutes after your programmed start time. Heat N' Brew doesn't need to stay plugged in on the counter, making it ideal for those who don't brew every day. It's that fast! Coffee flows through a stainlesssteel filter into a heattreated glass pot for a cup of coffee rich in flavour and low in acidity, bitterness and astringency. The cold brew method is celebrated for the way it intensifies the natural nutty flavour so many coffee varieties possess. A

valve option allows you to regulate the water which, after steeping, releases slowly into the towers carafe. This process can take 3 hours, or longer, if you adjust the valve accordingly or add pure ice. This lengthy timeline is more than compensated for by the delicious end result and fully relieved by the distraction of the towers rich visual. Produces up to 750ml of coffee. An ingenious design housed in a sleek, space efficient footprint, the CoffeeTeam Pro Plus makes clean up a breeze, which allows you more time to enjoy fresh, full flavoured coffee, cup after cup. For warranty claims or further inquiries, call Faema Canada at 4165351555. An ingenious design housed in a sleek, space efficient footprint, the CoffeeTeam Pro Plus makes clean up a breeze, which allows you more time to enjoy fresh, full flavoured coffee, cup after cup. For warranty claims or further inquiries, call Faema Canada at 4165351555. Only the Capresso CoffeeTeam Combination lets you program the amount of coffee you want to grind in a 4, 6, 8 or 10 cup capacity. Select your preference mild, regular or strong. You can even program two completely different settings, one for manual or one for automatic operation to ensure consistency of taste quality. It also allows a finer and more uniform grind than combination machines with a blade grinder. A detachable seethrough cover lets you check the flow of ground coffee and makes clean up a breeze.

For warranty claims or further inquiries, call Faema Canada at 4165351555. The Technivorms seat of excellence rests on speed, highquality components and craftsmanship. How long does that take. The Technivorm brew cycle only takes six minutes for optimal flavour extraction. A pumpfree brewing system ensures coffee is always made to the correct temperature. Works with portable servers. Operation is simple. This may result in an extra shipping cost or refund in shipping cost if the final freight differs significantly from the cost estimate given initially by our website. See Shipping Notes. Features Not available in the US Dimensions and specifications Plus guaranteed best prices. Prepare cafequality frothed milk for rich cappuccinos, lattes and more. For warranty claims or further inquiries, call Faema Canada at 4165351555. An ingenious design housed in a sleek, space efficient footprint, the CoffeeTeam Pro Plus makes clean up a breeze, which allows you more time to enjoy fresh, full flavoured coffee, cup after cup. For warranty claims or further inquiries, call Faema Canada at 4165351555. Only the Capresso CoffeeTeam Combination lets you program the amount of coffee you want to grind in a 4, 6, 8 or 10 cup capacity. A detachable seethrough cover lets you check the flow of ground coffee and makes clean up a breeze. For warranty claims or further inquiries, call Faema Canada at 4165351555. An easytoclean stainless steel dome covers the kettles concealed heating element. The lid is plastic with a chrome cover. Ounce and cup markings for easy filling. Kettle lifts easily for pouring and serving. For warranty claims or further inquiries, call Faema Canada at 4165351555. Manufactured as matched pairs, the Infinitys burrs are hand assembled in Switzerland for a precise fit. What you can expect Turn the timer and grinding starts instantly. Turning the bean container marker i.e., the black dot beyond the fineness settings will stop grinding, immediately.

Turning it back to the desired fineness will resume grinding as long as the timer is still running. Pulse Grinding. For warranty claims or further inquiries, call Faema Canada at 4165351555. See our Warranties information page here. Features a convenient brewthru lid and dripfree pouring spout with optional strength settings to extend brew times for enhanced aroma. Stainlesssteel accents and a compact footprint. Features and Benefits An ingenious design housed in a sleek, space efficient footprint, the CoffeeTeam Pro Plus makes clean up a breeze, which allows you more time to enjoy fresh, full flavoured coffee, cup after cup. For warranty claims or further inquiries, call Faema Canada at 4165351555. Plus guaranteed best prices. Making your cup of joe in the morning is even easier with the help of an automatic coffee maker. Drip coffee makers make great gifts for newlyweds who consume several cups of coffee a day. They are also considered a staple in office kitchens as well as restaurant kitchens. Capresso coffee makers are highquality and are capable of brewing your coffee for years. This sweet treat is perfect for celebrating one of our favorite winter flavors—peppermint. Using your EC100 Espresso Machine, brew the espresso into a small cup. Once

espresso is done brewing, remove the scoop of ice cream from the freezer and slowly pour the espresso shot over the ice cream. Enjoy immediately. With 15 bars of pressure, it produces maximum extraction of the grinds, so every shot brewed is of cafequality. A removable metal warming tray keeps cups at the ideal temperature for serving. Its integrated swivel frother creates light and airy froth for cappuccinos, or steamed milk for lattes. The classic duo creates one mouthwatering treat that is sweet and creamy, yet bold. Using your EC100 Espresso Machine, brew the espresso into a small cup. Enjoy immediately. What is your favorite combination Its bold flavors combine to make a refreshing drink.

<http://www.raumboerse-luzern.ch/mieten/bosch-pof-1300-ace-user-manual>