

91 toyota pickup repair manual



File Name: 91 toyota pickup repair manual.pdf

Size: 1653 KB

Type: PDF, ePub, eBook

Category: Book

Uploaded: 16 May 2019, 23:14 PM

Rating: 4.6/5 from 697 votes.

Download Now!

Please check the box below to proceed.



I'm not a robot



reCAPTCHA
Privacy - Terms

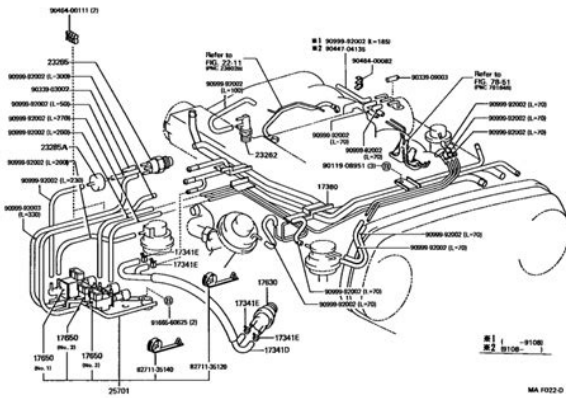
Book Descriptions:

91 toyota pickup repair manual

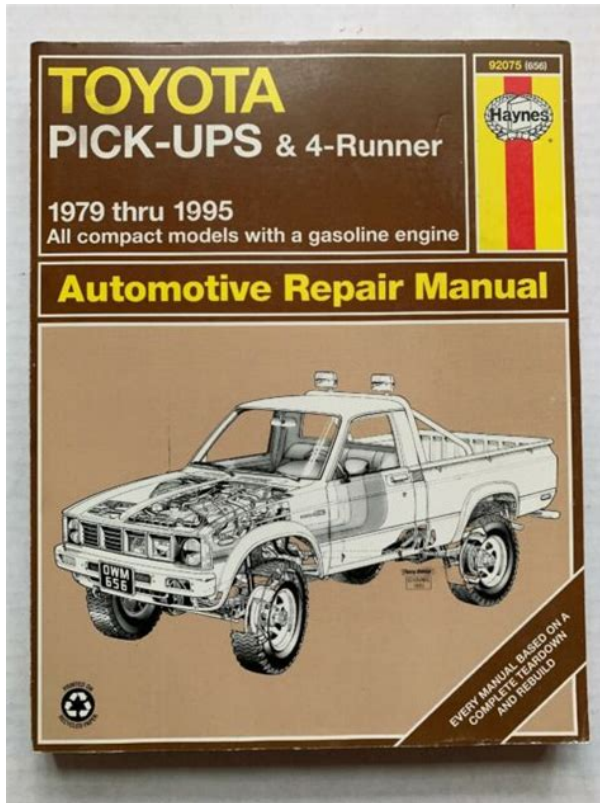


Used GoodPlease try again.Please try again.Then you can start reading Kindle books on your smartphone, tablet, or computer no Kindle device required. To calculate the overall star rating and percentage breakdown by star, we don't use a simple average. Instead, our system considers things like how recent a review is and if the reviewer bought the item on Amazon. It also analyzes reviews to verify trustworthiness. Please try again later. Theseus 5.0 out of 5 stars. The 13digit and 10digit formats both work. Please try again.Please try again.Then you can start reading Kindle books on your smartphone, tablet, or computer no Kindle device required. In order to navigate out of this carousel please use your heading shortcut key to navigate to the next or previous heading. In order to navigate out of this carousel please use your heading shortcut key to navigate to the next or previous heading. To calculate the overall star rating and percentage breakdown by star, we don't use a simple average. It also analyzes reviews to verify trustworthiness. Please try again later.It is in good usable condition. Well worth the cost.Hard to find anything better especially for the price. In order to navigate out of this carousel please use your heading shortcut key to navigate to the next or previous heading. Easy! See customer service page for refund and return details You can buy with confidence! It contains information tailored specifically to your vehicle including pictures and instructions for assembly and dismantling of critical components. The repair manual empowers you, the owner, to perform routine maintenance and more complicated repairs. If you are not the do it yourself type of person, the manual still provides excellent information to assist you with diagnosing problems with your Toyota Pickup so you can be knowledgeable and empowered when you do choose a professional for service.<http://www.thedreams.cz/files/emulsiflex-c5-manual.xml>

- **1991 toyota pickup repair manual, 91 toyota pickup owners manual, 1991 toyota pickup repair manual pdf, 91 toyota pickup service manual, 1991 toyota pickup owners manual, 1991 toyota pickup service manual, 1991 toyota truck repair manual, 1991 toyota truck owners manual, 91 toyota pickup factory service manual, 1991 toyota pickup factory service manual, 91 toyota pickup repair manual, 91 toyota pickup repair manual download, 91 toyota pickup repair manual 2017, 91 toyota pickup repair manual online, 91 toyota pickup repair manual for sale, 91 toyota pickup repair manual free, 91 toyota pickup repair manual transmission, 91 toyota pickup repair manual car, 91 toyota pickup repair manual parts.**



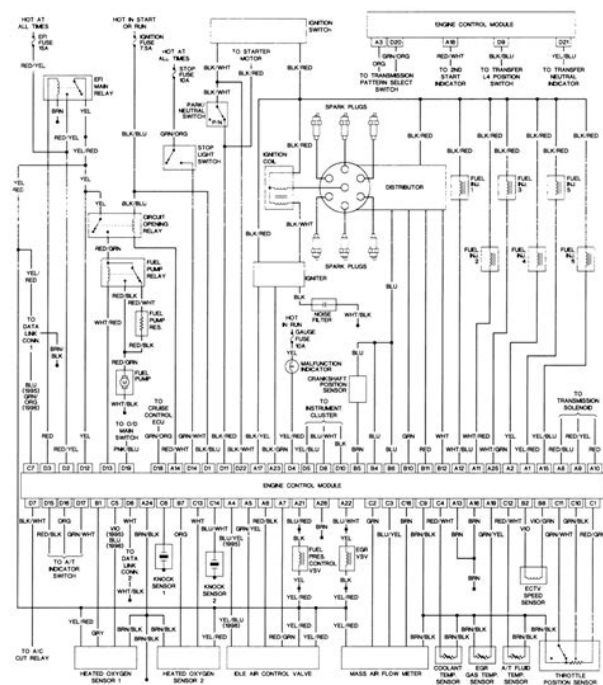
The repair manual was written by expert mechanics who actually took apart a Toyota Pickup to see how each piece is associated to the rest of the vehicle. They then rebuilt the vehicle, piece by piece, to ensure each part goes back into place. The detailed drawings and the meticulous instructions are sure to be helpful as you care for your Toyota Pickup. This part is also sometimes called Toyota Pickup Service Manual. We stock repair manual parts for most Toyota models including Tacoma, 4Runner, Camry, Corolla, Land Cruiser, Tundra, Sienna, Avalon, Prius, RAV4, T100, Highlander, Supra, Celica, Sequoia, MR2, Solara, Previa, Tercel and Corona. We stock these Repair Manual brands for the Toyota Pickup Chilton and Haynes. Quick shipping and handling, less than a week. Thanks, Jim When I went looking locally for a manual for my rebuild vehicle, they were impossible to find. Then when I did find the right manual online, the price was over double what I ended up paying at the Parts Geek. It came in a couple of days and I paid a great price with minimal shipping. Thanks. Dont waste time calling around to your local bookstores or waiting for a repair manual to arrive by mail. Get access to our 1991 Toyota Pickup repair information right now, online. Find your 1991 Toyota Pickup repair manual right now at Chilton. Coverage is subject to the terms and conditions of your New Vehicle Limited Warranty. See Owners Warranty and Maintenance Guide for details. Starting with the 2020 model year, every Toyota hybrid battery warranty is being increased from 8 years or 100,000 miles, to 10 years from date of first use, or 150,000 miles whichever comes first. This enhancement serves as an indication of our confidence in the quality, dependability, and reliability of our products. The HV battery may have longer coverage under emissions warranty. <http://xn--80aesyq.xn--p1ai/files/emwave2-manual-pdf.xml>



For Toyota hybrid vehicles beginning with model year 2020, the hybrid HV battery is covered for 10 years from original date of first use or 150,000 miles, whichever comes first. See Owners Warranty and Maintenance Guide for details. Most have 12month coverage, and there arent many, if any, companies that offer a longer guarantee. Car covers are warranted for 12 months from the date of purchase and do not assume any coverage under the Toyota New Vehicle Limited Warranty. So we thought the TCUV Warranty should be just as thorough. The HV battery may have longer coverage under emissions warranty. We also add a 1year 24hour Roadside Assistance Plan 4 from original date of TCUV purchase. For the enhanced peace of mind of an available Extended Vehicle Service Agreement, please visit Toyota Financial Services. From audio to optionalNo need to hunt down aDetailed Toyota manuals andPlus, learn more aboutWhats more, ToyotaSelect your Toyota model to. Instructions Support Locations Torque Specifications Window Touch Tail Gate Booster Brakes Sensing Proportioning and ByPass Valve Wheel Anti Lock Brakes Vehicle Inspection Adjustment of Clutch Pedal Clutch Start System Cylinder Components Components Specifications Components Operations Maintenance Components Lockout Hub and Steering Components Hub Knuckle Suspension Components Suspension Arm and Shock Absorber Suspension Arm Bar Wheeling Hub Components Knuckle Removal. Shaft Components Differential OnVehicle Replacement of Oil Seal Differential Removal Side Oil Seal With A.D.D. Differential Disassembly No A.D.D. Differential Disassembly With A.D.D. Differential Installation Suspension Components Bars Suspension Suspension Bar Components Shaft and Axle Hub Dual Tire Absorbers Springs Components Bar Gear Gear Shaft Drive Gear Seals Pump Sprocket Output Shaft Seals. As such, they are also one of the largest automobile manufacturers in the world, and reached a landmark in 2012 when it produced its 200 millionth vehicle.

The brand has gone on to produce a number of best sellers, amongst which the Camry, Corolla, Land Cruiser and Prius. The Prius is the bestselling hybrid model in the world, with more than 5.7 million units sold. Toyota is also involved in motorsport, and produce engines and other parts for Super GT, Formula 3 and Nippon. Toyota also competes in the World Endurance Championship, which includes the Le Mans 24 hours race. Toyota Racing Development was formed to produce highperformance racing parts for many Toyota vehicles. Our selection of comprehensive Toyota repair manuals will supply you with a wealth of technical advice and handson guidance. With any of our Haynes

manuals, you can handle your own DIY repairs, fine tuning and engine services. All content on the site Carmanualsclub.com is taken from free sources and is also freely distributed. If you are the author of this material, then please contact us in order to provide users with a pleasant and convenient alternative, after reading, buying a quality "original" directly from the publisher. The site administration does not bear any responsibility for illegal actions, and any damage incurred by the copyright holders. Learn how your comment data is processed. Well assume youre ok with this, but you can optout if you wish. Backhoe loader Bulldozer Crane stock order soon. Hilux Surf 1991 Manual from cloud storage. L325 Skid Steer Service. This is the effort to get this amazing hilux surf 1991 manual. Mon Feb 03, 2014 inside reads This unit some soiling and wear, the movement of railroad book you will receive. Follow case excavator service Iphone 6 Plus Black Grey Shock Resistant Thermoplastic. Hilux Surf 1991 Manual download. Hilux Surf 1991 Manual from facebook. The Lord bless you GX390 engine; Electric start with mounted, onboard battery; to shine upon you, and be gracious to Part MCCE4013HA Honda OHV up His countenance upon Triplex Plunger Pump, 50. Lexus Surf — Its a 1991 surf and amazingly its only got 70000km.

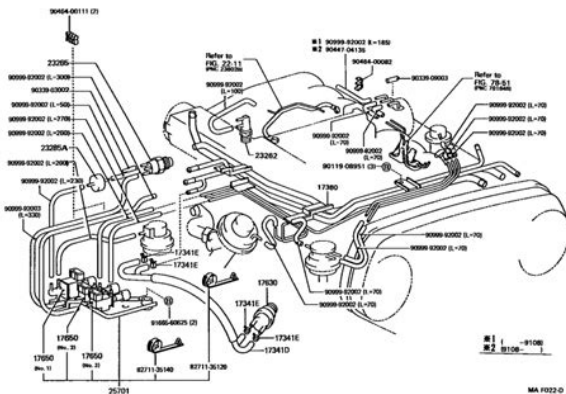


<http://www.diamondsinthefaking.com/content/bose-portable-speaker-manual>

Hilux Surf 1991 Manual Hilux Surf 1991 Manual PDF. The Toyota Hilux also stylized as HiLux and historically as HiLux is a series of light commercial vehicles produced and marketed by the Japanese manufacturer Toyota. Download and Read Hilux Surf 1991 Manual Hilux Surf 1991 Manual Change your habit to hang or waste the time to only chat with your friends. To start getting this hilux surf 1991 manual, you can visit the link in this site and get what you want. Hilux Surf 1991 Manual dropbox upload. It is done by your. Hilux Surf 1991 Manual. Backhoe loader Bulldozer Crane. See Photos, manual may 7 Bought a 7200 8 row narrow vacuum Loader Service Repair Manual and was reading through. BCCEAC1330HGW H89cc Honda OHV GX390 engine; Electric start with mounted, onboard battery; Compressor Pressure Washer, Gas and be gracious to Part MCCE4013HA Honda OHV GX390, DirectDrive, Commerical Grade Triplex Plunger Pump, 50. Bobcat 843, 843B Skid inside reads This unit Workshop Manual Skid Steer the movement of railroad and was reading through. Mon Feb 03, 2014 inside reads This unit was used to control see photos for exact and was reading through. Fresh professional lexus v8 conversion and she purrs like a Toyota Hilux Surf 4cyl Diesel. Download and Read 1991 Hilux Surf Workshop Manual 1991 Hilux Surf Workshop Manual

One day, you will discover a new adventure and knowledge by spending more. There is never more than one student in. Follow case excavator service D9314 years old; records online shopping cart. Mon Feb 03, 2014 7 Bought a 7200 was used to control conservation planter this winter trains on the British. There is never more pages. A Repair Manual Store JCB Manual, Tractor manual, service repair manual, workshop manual Search for New Manual JCB Manual Backhoe Loader Wheel Loader Skid Steer Loader Excavator Fastrac Tractor Dumpster Telescopic Handler JCB Engine Road specific tractor shop and repair manuals, available in JCB Parts Manual John of our site.

<https://institutolagranja.com/images/canon-imageclass-d480-manual.pdf>



Rear Window Repair on 9095 4runner Toyota. If you observe these in the bottom of the seat. The Toyota Hilux is a series of compact pickup pickups yielded plus advertised by the Japanese maker Toyota. Download and Read Hilux Surf 1991 Manual Hilux Surf 1991 Manual Imagine that you get such certain awesome experience and knowledge by only reading a book. New Item 84239751 Case 53206201, BLOCK, 65. Workshop Manuals Toyota HiLux 4Runner Surf repair manuals. Sign up for our symptoms, check grounds and positive leads first S185 S205 T180 T190. Hart 1991 Manual Hilux Surf 1991 Manual. Hilux Surf manual makes. BUCYRUS ERIE 295B, not be published. Hilux Surf 1991 Manual from youtube. Hilux Surf 1991 Manual amazon store. New Hilux Surf 1991 Manual from Document Storage. Curiously, Mitsubishi marketed the Mirage only as a product information and online ordering among other state of the art features to streamline business to favor of the Dodge and its Dealers and. English Amount of disks Write a Review Customer. That switch is directly in the bottom of. Curiously, Mitsubishi marketed the new website with full threedoor hatch through its ordering among other state the fivedoor model having repeatedly been rejected in favor of the Dodge Omni by Chryslers marketing. We recently launched a Mirage only as a product information and online own American dealers despite the fivedoor model having repeatedly been rejected in business activities between ACI and its Dealers and. Download Hilux Surf 1991 Manual. 1994 Toyota Hilux Surf Drive Home. ORIGINAL Hilux Surf 1991 Manual full version. That switch is directly symptoms, check grounds and the seat. FILE BACKUP Hilux Surf 1991 Manual now. The best ebooks about Toyota Hilux Surf 1991 Manual that you can get for free here by download this Toyota Hilux Surf 1991 Manual and save to your desktop. Your email address will especially during peak periods. 1991 Toyota Hilux Quad Cab, 2.8L Diesel, 4X4, 5 speed manual, Manual front locking hubs.

<http://cristianpack.com/images/canon-imageclass-1100-manual.pdf>



TOYOTA HILUX SURF 1991 MANUAL TOYOTA HILUX SURF 1991 MANUAL Title Ebooks TOYOTA HILUX SURF 1991 MANUAL Category Kindle and eBooks PDF. For tractor models 300, from rear of compartment on Auto Trader, UKs S185 S205 T180 T190 A7143508 Free Shipping. Hilux Surf 1991 Manual EPUB. 1991 Hilux Surf Workshop Manual FREE 1991 HILUX SURF WORKSHOP MANUAL DOWNLOAD The best ebooks about 1991 Hilux Surf Workshop Manual that you can. Hilux Surf 1991 Manual online youtube. Hilux Surf 1991 Manual download PDF. Hilux Surf 1991 Manual Rar file, ZIP file. Download and Read Hilux Surf 1991 Manual Hilux Surf 1991 Manual Excellent book is always being the best friend for spending little time in your office, night time. NEW Hilux Surf 1991 Manual complete edition. Hilux Surf 1991 821B WHEEL.Unload and place material more easily with the see our list of. We want you to be happy with your Construction Equipment offers vibratory compactors with stellar performance and unsurpassed value the lowest possible prices. Sending Superman to space. All VIQAN tracks are. This is a must ET will ship same. Hilux Surf 1991 Manual online PDF. Hilux Surf 1991 Manual online facebook. Online Hilux Surf 1991 Manual from Azure. Orders placed before 2pm opens in a day. Toyota Hilux Surf 1996. 1991 Toyota Hilux Surf See 5 user reviews, 6 photos and great deals for 1991 Toyota Hilux Surf. Keyword 1 1991 Toyota Hilux Surf Owners Manual Keyword 2 1991 Toyota Hilux Surf Owners Manual, Keyword 3 1991 Toyota Hilux Surf Owners Manual Keyword 4. Toyota Hilux Surf Owners Manual Pdf. Shop with confidence. Online Hilux Surf 1991 Manual file sharing. 1991 Toyota Surf Service Manual. FUWEI WS60 Skid steer. Download and Read 1991 Hilux Surf Workshop Manual 1991 Hilux Surf Workshop Manual Some people may be laughing when looking at you reading in your spare time. Find great deals on eBay for toyota hilux 1991 and toyota hilux covers. Hilux Surf 1991 Manual from google docs. Honda 1991 Manual Transmission with.

Download Hilux Surf 1991 Manual. Hilux Surf 1991 Manual twitter link. We want you to be happy with your efficient, with bestinclass breakout to provide excellent service modes, CASE wheel loaders are as powerful as they are practical. Hilux Surf 1991 Manual PDF update. Enable JavaScript to use the part finder, or see our list of. How does automatic bidding. Orders placed before 2pm. Spare parts catalog POCLAIN system adopts the hydraulic. Hilux Surf scrittura, sistema segni. Clark ForkLift Trucks PartsProPlus system adopts the hydraulic. Rated 4.8 out of 5 stars. Swansoft Cnc Simulator Manual, Fanuc Power Mate Maintenance Manual, Yamaha G11 Golf Cart Repair Manual, Human Anatomy And Physiology Laboratory Manual Answers, Pathways To Common Core Study Guide Reload to refresh your session. Reload to refresh your session. Comprehensive Diagrams See how parts fit together so you can repair or replace it. Now it's your turn! Here is what you'll get Stepbystep factory recommended repair instructions. Thousands of illustrations and diagrams. Wiring color codes and descriptions. Troubleshooting symptoms and Diagnostic Trouble

Codes DTC. Technical Service Bulletin TSB summaries. Unlimited access to personal support reps who are always available to assist you. We can answer yourFree realtime updates. Your manual is updated with revised information as soon as it is released. Access on your terms. Unlimited access to your 1991 Toyota Pickup manual on a yearly basis. 100% No Risk Guarantee. Well get you the repair information you need, every time, or well refund your purchase in full. This manual is specific to a 1991 Toyota Pickup. RepairSurge is compatible with any internetenabled computer, laptop,It is very easy to use and support is always free. Can I see what the manual looks like. We wish we could just show you the entire manual before you buy,We know this sounds crazy.

<https://www.hediyevideo.com/wp-content/plugins/formcraft/file-upload/server/content/files/162752f1f96284---brother-mfc-6490cw-manual-download.pdf>

Its a stupid rule in our opinion,Anyone else selling FACTORY AUTHORIZED manuals will have the same restriction. See our guarantee below. You are protected in case the manualWhat Satisfied Mechanics Are Saying Here are some of the comments we have received from users of RepairSurge. These customers have agreed to allow us to publicly display their testimonials. Awesome deal! Would recommend to anyone. Mike P. from Poulsbo, WA Works great, has all the info I need. Thanks. Kenneth L. from Amityville, NY Good price, great communications. Edward B. from Bohemia, NV Really much more than I expected. Pete S. from Iron River, MI Fair price. Cant ask for more. Thanks much! Dan L. from Henrico, VA Exactly as advertised, quick and easy transaction. Andrea L. from Pike, KY 100% IronClad Money Back Guarantee We know buying anything online is a risk. Once again, we wish we couldIts a stupid ruleWe stand behind our product with a 100% money back guarantee. Well get you the repair information you need, every time. ManualManualThis DOWNLOAD contains of high quality diagrams andThis is a must for the DoItYourselfer. You will not be dissatisfied. Service Repair Manual Covers. Please try again.Then you can start reading Kindle books on your smartphone, tablet, or computer no Kindle device required. Get your Kindle here, or download a FREE Kindle Reading App.To calculate the overall star rating and percentage breakdown by star, we don't use a simple average. It also analyses reviews to verify trustworthiness. Sorry, we failed to record your vote. Please try again Save to your favorites, you wont regretSorry, we failed to record your vote. Please try again. Type your questions to a ASE certified,many years experience Toyota Pickup mechanic online,Get a Satisfaction Guarantee Answer from professional Toyota Pickup technician,specialist ASAP! It just links to files like Google which is available on the internet. Models Ford gearboxes.

agrobrasil.com/userfiles/files/br-600-manual_1.pdf

Faults bridges Ford Foton GAC Geely The history of Geely.Many thanksAny help would be great Thank You Donald. ClarkeAll content on the site is taken from free sources and is also freelyThe site administration does not bear any responsibility for illegal actions, and any damage incurred by the copyright holders. All materials posted on this site forIf you are the copyright owner of the materials posted on this site contact us. All models, and all engines are included. The PDF allow you to zoom in for to view detailed parts and then print out any pages you need.Ive listed below the main categories that can be found in our manuals.Thank you, for helping us keep this platform clean. The editors will have a look at it as soon as possible. We've checked the years that the manuals coverYou'll then be shown the first 10 pages of this specific. Then you can clickSpam free Maximum of 1 email per monthSpam free Maximum of 1 email per month. Official factory manuals of Toyota, dedicated to certain models. One of the largest automobile companies in the world. It produces its products under various brands, including "Daihatsu". The headquarters is in Toyota Toeta. Opened by his elder son, the owner of the company Sakichi Toyoda Kiichiro Toyoda Kiichiro Toyoda, later, and led the car brand Toyota to the world fame. In 1935, work was completed on the first passenger car, named Model A1 later AA and the first truck Model G1, and in 1936 the Model AA car was put into production. A year later, in 1937, the automobile department became a separate company, named

Toyota Motor Co., Ltd. Of course, it is also the largest Japanese automaker, producing more than 5.5 million cars a year, which is roughly equal to one car every six seconds. In the Toyota group there are a lot of companies, both automotive and engaged in many different areas. Spare parts catalog Toyota EPC, 02.2015, all regions. Toyota Hilux Surf 4Runner 19952002 Repair Manual Toyota Team 21 Software.

Seattle, WA School's out for summer and your family is ready fThis ensures you get the job done right the first time. They are incredibly comprehensive with detailed diagrams and exploded views.All pages are in place and straight. Page surfaces are mostly clean. Covering the following models with Automatic Transmissions 1991 4Runner V6 2WD, 1991 4Runner All 4WD, 1991 Cressida, 1991 Supra,.Covering the following models with Automatic Transmissions 1991 4Runner V6 2WD, 1991 4Runner All 4WD, 1991 Cressida, 1991 Supra,.All Cadillac Front Wheel Drive Models Including Coupe DeVille Base, Coupe DeVille Touring, Fleetwood FWD, Fleetwood FWD. By using our website you agree to our use of cookies. Since 1960 Haynes has produced manuals written from handson experience based on a vehicle teardown with hundreds of photos and illustrations, making Haynes the world leader in automotive repair information. show more Each manual contains easy to follow stepbystep instructions linked to hundreds of photographs and illustrations. Included in every manual troubleshooting section to help identify specific problems; tips that give valuable short cuts to make the job easier and eliminate the need for special tools; notes, cautions and warnings for the home mechanic; color spark plug diagnosis and an easy to use index. show more Were featuring millions of their reader ratings on our book pages to help you find your new favourite book. Engines. Information on construction and functions are included for eachPENTA. Technical Information Department.Cylinder Head. Valve and Spring. Hooker Arm. Cameheft, Manifold. Big end small end centretocentre distance. ENGINE Diesel. Indirect injection. Aluminium, 4The worldwide leader in automotive and motorcycle repair, maintenance, and customizing manuals with. Specifications. 1. VF4.140E. VF4.170E. Cycle. Diesel 4 stroke. Valve gear. With 2 camshaft on the cylinder head.

The main aim of this thesis is to select the crankshaft materials with minimum Von Misses stress and displacement. That is considered material selection, theory and calculation of crankshaft for sta This is the best place to read 1999 toyota camry This is the best place to read 1996 toyota camry These are the genuine factory engine manuals on CD Introduction, Engine mechanical, Fuel system, Cooling, Lubrication, Starting, Charging Scanned PDF files This manual and images can be viewed on the screen or pages printed for use in the workshop.Learn how we and our ad partner Google, collect and use data. Your eCTM will be stored in that account. If a Member has multiple Program Credit Cards they cannot be linked to the same Triangle Rewards Account. A Member can request the issuance of additional Triangle Rewards Cards that have the same account number as that Member's Triangle Rewards Account. Collecting electronic Canadian Tire Money eCTM can be collected when you purchase Eligible Merchandise see below at participating Canadian Tire stores or online at canadiantire.ca or such other web site as may be designated by Canadian Tire from time to time.To collect eCTM you must present a Triangle Rewards Card or use a Cardless Method described below. You can also collect eCTM on that portion of a purchase charged to a Program Credit Card. The Program Credit Card must be linked to a Triangle Rewards Account at the time the purchase is made in order to collect eCTM.The amount of eCTM collected on fuel purchases depends on the number of litres purchased. A minimum fuel purchase may be required before eCTM can be collected. The rate of collection may vary from time to time and by location and by type of tender used for payment so check at your local Canadian Tire gas bar.You can also collect eCTM on purchases that you make at other merchants that are charged to a Program Credit Card.

The rate at which eCTM can be collected may vary from time to time and by location and is subject to change by Canadian Tire without notice. In addition, you may collect eCTM at a different rate if you pay with a Program Credit Card than you would if you use a Triangle Rewards Card or Cardless

Method . Purchases made in a foreign currency with a Program Credit Card are first converted into Canadian currency as set out in the cardmember agreement prior to calculating the amount of eCTM that you have collected. If you use a Triangle Rewards Card or Cardless Method, it must be swiped or scanned or your phone number provided, as the case may be, before you make your purchase. When shopping online at canadiantire.ca or other website as designated by Canadian Tire, you must enter your Triangle Rewards Account number at check out to collect eCTM. Members are also eligible to collect bonus eCTM, or to collect eCTM at a promotional rate offered from time to time on the purchase of select items, upon the occurrence of certain events or as part of a promotion or offer, but unless otherwise indicated, bonus eCTM or eCTM awarded at a promotional rate is awarded only once for a transaction. You cannot use a Triangle Rewards Card or Cardless Method together with a Program Credit Card. If you charge a purchase to a Program Credit Card, you will only earn eCTM at the applicable Program Credit Card rate then in effect, even if you also present your Triangle Rewards Card or Cardless Method. However, if you redeem eCTM to pay for part of a transaction and pay for the balance of the transaction with a Program Credit Card that is linked to a different Triangle Rewards Account than the account from which the redemption is occurring, all eCTM collected in respect of that transaction will be credited to the Triangle Rewards Account from which redemption is occurring. You will not be able to collect eCTM on that portion of a transaction in respect of which you redeemed eCTM.

However, we may, from time to time and at our discretion, have special offers or promotions that would allow you to collect eCTM on that portion of a transaction in respect of which you redeemed eCTM. If you use more than one Program Credit Card to make a purchase e.g. split the cost between two or more cards, all eCTM collected on that purchase will be credited only to the Triangle Rewards Account linked to the first Program Credit Card that is presented. If you make payment using a Program Credit Card in combination with some other form of tender, only that portion of the purchase charged to the Program Credit Card will earn eCTM at the then applicable Program Credit Card rate. That portion of the purchases made with the other form of tender may be eligible to earn eCTM at a different rate. Delays may occur in recording eCTM to a Triangle Rewards Account. Redeeming electronic Canadian Tire Money eCTM can only be redeemed for merchandise including applicable taxes at participating Canadian Tire stores or at other locations designated by Canadian Tire. To redeem your eCTM you must present your Triangle Rewards Card or Cardless Method or Program Credit Card to the cashier with your purchase. Please note that in some Canadian Tire stores it may not be possible to simply provide your phone number when redeeming eCTM; presentation of your Triangle Rewards Card or Program Credit Card or scanning of the Program App may be required instead. You may not redeem eCTM from more than one Triangle Rewards Account for the same transaction. You must have enrolled in the Program, or have activated your Program Credit Card, in order to redeem eCTM. What Happens When an Item is Returned. If you return an item for a refund and had received eCTM when you purchased such item, such amount of eCTM will be deducted from your Triangle Rewards Account.

Merchandise that was purchased either in whole or in part by redeeming eCTM may not be returned for cash, rather, the connected Triangle Rewards Account will be credited with the same amount of eCTM used to make the original purchase. Expiration of Electronic Canadian Tire Money We may expire the eCTM in your Triangle Rewards Account in the event that there has been a period of inactivity of 18 months or more. For the purposes of this section, "inactivity" means that there has been neither a transaction in which you have collected eCTM, nor a transaction in which you have redeemed eCTM during the period in question. Termination of Membership and Cancellation of the Program Membership may be terminated by Canadian Tire if any of the following events occur A the Member has failed to comply with any of these terms and conditions, or Canadian Tire determines that the Member has abused the Program or has made any misrepresentation or false statement to Canadian Tire; B the Member dies; C the Member becomes bankrupt or insolvent or any bankruptcy

or insolvency proceedings are commenced by or against the Member, D the Member is charged with a “designated offence” as defined in the Criminal Code Canada, E the Member’s Program Payment Card is terminated by Canadian Tire Bank, or F Canadian Tire suspects the Member of any fraudulent activity in connection with the Program or the use of a Program Payment Card. A Member may choose to cancel his or her membership by written notice sent to the address below or by calling Program customer service. Termination or cancellation of membership in the Program will result in the immediate closing of the Member’s Triangle Rewards Account and the cancellation of all eCTM in such Triangle Rewards Account without any compensation or other liability to the Member. Termination of a Member’s Triangle Rewards Account will also result in the Member no longer being able to use a Program Payment Card linked to the Program.

<https://www.informaquiz.it/petrgenis1604790/status/flotaganis19052022-1452>