

## 8559a manual

---



**File Name:** 8559a manual.pdf

**Size:** 3369 KB

**Type:** PDF, ePub, eBook

**Category:** Book

**Uploaded:** 6 May 2019, 20:30 PM

**Rating:** 4.6/5 from 554 votes.

**Status:** AVAILABLE

Last checked: 4 Minutes ago!

**In order to read or download 8559a manual ebook, you need to create a FREE account.**

[\*\*Download Now!\*\*](#)

eBook includes PDF, ePub and Kindle version

[Register a free 1 month Trial Account.](#)

[Download as many books as you like \(Personal use\)](#)

[Cancel the membership at any time if not satisfied.](#)

[Join Over 80000 Happy Readers](#)

### Book Descriptions:

We have made it easy for you to find a PDF Ebooks without any digging. And by having access to our ebooks online or by storing it on your computer, you have convenient answers with 8559a manual . To get started finding 8559a manual , you are right to find our website which has a comprehensive collection of manuals listed.

Our library is the biggest of these that have literally hundreds of thousands of different products represented.



## Book Descriptions:

# 8559a manual

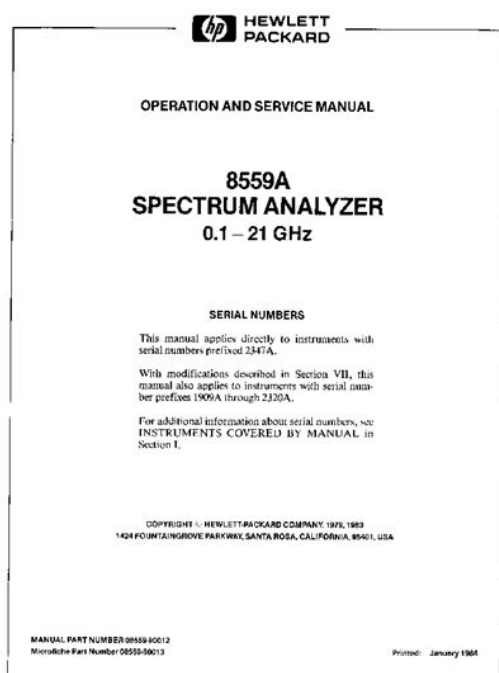
HewlettPackard. Page 3 i Index HEWLETTPage 4 CONTENTS. Section Page Section Page. I  
GENERAL INFORMATION..... Page 5 CONTENTS. Section Page Section PageFamiliarize. Page 8  
10 General Information GENERAL INFORMATION MODEL 8559APage 10 GENERAL  
INFORMATION MODEL 8559AThis supplement conPage 11 MODEL 8559A GENERAL  
INFORMATIONPage 13 MODEL 8559A GENERAL INFORMATIONPage 14 GENERAL  
INFORMATION MODEL 6559APage 15 MODEL 8559A GENERAL INFORMATIONPage 16  
GENERAL INFORMATION MODEL 8559APage 17 MODEL 8559A GENERAL INFORMATIONPage  
18 GENERAL INFORMATION MODEL 8559A.  
PLIED.<http://abogarestudio.com/userfiles/emmerich-manual-high-school-principal.xml>

- 1.0, hp 8559a manual.



Page 19 MODEL 8559A GENERAL INFORMATIONPage 23 MODEL 8559A GENERAL  
INFORMATIONPage 25 MODEL 8559A GENERAL INFORMATIONPage 26 Page 27 21 Installation

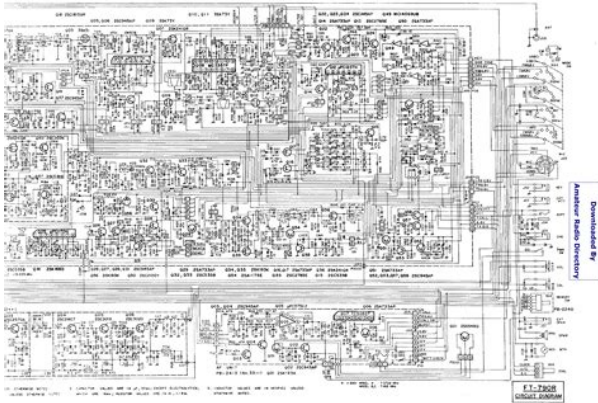
and Operation Verification MODEL 8559A INSTALLATION AND OPERATION VERIFICATIONPage 28 INSTALLATION AND OPERATION VERIFICATION MODEL 8559APage 29 MODEL 8559A INSTALLATION AND OPERATION VERIFICATIONOperating EnvironmentA doublewallPage 34 OPERATION MODEL 8559APage 35 MODEL 8559A OPERATIONPage 37 Page 38 41 Performance Tests MODEL 8559A PERFORMANCE TESTSPage 39 PERFORMANCE TESTS MODEL 8559APage 40 MODEL 8559A PERFORMANCE TESTSPage 42 MODEL 8559A PERFORMANCETESTSPage 44 MODEL 8559A PERFORMANCE TESTSPage 47 PERFORMANCE TESTS MODEL 8559APage 50 MODEL 8559A PERFORMANCE TESTSPage 53 PERFORMANCE TESTS MODEL 8559APage 54 MODEL 8559A PERFORMANCE TESTSPage 57 PERFORMANCE TESTS MODEL 8559APage 60 MODEL 8559A PERFORMANCE TESTSPage 62 MODEL 8559A PERFORMANCETESTSPage 63 PERFORMANCETESTS MODEL 8559APage 67 PERFORMANCE TESTS MODEL 8559APage 68 MODEL 8559A PERFORMANCETESTSPage 69 PERFORMANCE TESTS MODEL 8559APage 71 PERFORMANCE TESTS MODEL 8559APage 72 MODEL 8559A PERFORMANCE TESTSFrequency Response, 3 18 GHzPage 74 MODEL 8559A PERFORMANCE TESTSPage 75 PERFORMANCE TESTS MODEL 8559APage 79 PERFORMANCE TESTS MODEL 8559APage 83 PERFORMANCE TESTS MODEL 8559APage 84 MODEL 8559A PERFORMANCE TESTSPage 85 PERFORMANCE TESTS MODEL 8559APage 86 MODEL 8559A PERFORMANCE TESTSVernier AccuracyPage 89 PERFORMANCE TESTS MODEL 8559APage 90 MODEL 8559A PERFORMANCE TESTSConnect counters.<http://designbeginnings.com/upload/emmerich-manual-high-school-yearbook.xml>



Page 92 MODEL 8559A PERFORMANCETESTSPage 93 PERFORMANCE TESTS MODEL 8559APage 96 MODEL 8559A PERFORMANCETESTSPage 99 PERFORMANCE TESTS MODEL 8559APage 105 ADJUSTMENTS MODEL 8559APage 106 MODEL 8559A ADJUSTMENTSPage 107 ADJUSTMENTS MODEL 8559APage 110 MODEL 8559A ADJUSTMENTSPage 116 MODEL 8559A ADJUSTMENTSPage 118 MODEL 8559A ADJUSTMENTSPage 121 ADJUSTMENTS MODEL 8559ALinear Output and Linear Step GainLog GainPage 126 MODEL 8559A ADJUSTMENTSPage 127 ADJUSTMENTS MODEL 8559AUsing REF LEVEL FINE control. Page 132 MODEL 8559A ADJUSTMENTSLC AlignmentPage 134 MODEL 8559A ADJUSTMENTSPage 136 MODEL 8559A ADJUSTMENTSPage 137 ADJUSTMENTS MODEL 8559APage 139 ADJUSTMENTS MODEL

8559A Page 140 MODEL 8559A ADJUSTMENTS Page 141 ADJUSTMENTS MODEL 8559A Page 142 MODEL 8559A ADJUSTMENTS Page 145 ADJUSTMENTS MODEL 8559A Set VIDEO FILTER control. Page 147 ADJUSTMENTS MODEL 8559A First LO Adjustments Alternate IF First LO Shift Check Page 150 MODEL 8559A ADJUSTMENTS Page 151 ADJUSTMENTS MODEL 8559A Note position of comb tooth. Page 152 MODEL 8559A ADJUSTMENTS Page 154 MODEL 8559A ADJUSTMENTS Page 155 ADJUSTMENTS MODEL 8559A Page 156 MODEL 8559A ADJUSTMENTS Page 158 MODEL 8559A ADJUSTMENTS Page 159 ADJUSTMENTS MODEL 8559A Page 160 MODEL 8559A ADJUSTMENTS Page 165 ADJUSTMENTS MODEL 8559A Page 166 MODEL 8559A ADJUSTMENTS Page 168 MODEL 8559A ADJUSTMENTS Page 170 MODEL 8559A ADJUSTMENTS Page 172 MODEL 8559A ADJUSTMENTS Page 173 ADJUSTMENTS MODEL 8559A Page 174 61 Replaceable Parts MODEL 8559A REPLACEABLE PARTS Page 178 MODEL 8559A REPLACEABLE PARTS Page 181 REPLACEABLE PARTS MODEL 8559A Table 11. HP 85596 Specifications 1 of 4 Page 186 Page 463. Table 418. Performance Test Record 2 of 4. Page 187 Pages 511 through 513 Page 190 Pages 517 through 523. Paragraph 519, Log Amplifier and Linear Adjustments. Page 191 ADJUSTMENTS Paragraph 521. Bandwidth Filter Adjustments. Page 196 ADJUSTMENTS Page 199 ADJUSTMENTS Page 200 ADJUSTMENTS Page 201 ADJUSTMENTS Page 202 Pages 533 through 537. Paragraph 522.

3 dB Bandwidth Adjustments. Page 203 ADJUSTMENTS Page 205 ADJUSTMENTS Page 206 ADJUSTMENTS Page 207 Pages 544 through 548. Paragraph 525. First Converter Adjustments. Page 208 ADJUSTMENTS Page 210 ADJUSTMENTS Page 211 ADJUSTMENTS Note position of comb. Figure 61, Mechanical Chassis Parts. Table 81. Digital Panel Meter. Page 215 DIGITAL PANEL METER ASSEMBLY A1, REPLACEABLE PARTS SERIAL PREFIX 2218A Designation Number Code. Page 216 A1A2 Reference Table 83. BF Section, Replaceable Parts. Page 222 1, Page 224 Figure 829. Page 225 Page 226 TABLE 04. FREQUENCY CONTROL ASSEMBLY A7, REPLACEABLE PARTS 2 OF 3 SERIAL PREFIX 2236A Reference HP Part Description Mfr Part Number. Page 228 A7 Marker Assembly A8, Schematic Diagram 1 of 2. Page 235 A8 Reference HP Part Description. Page 240 Page 241 Page 242 TABLE 86. SWEEP GENERATOR BANDWIDTH CONTROL ASSEMBLY A9, REPLACEABLE PARTS 4 OF 4 SERIAL PREFIX 2107A01633 Reference HP Part Description Mfr. Page 258 Page 259 Reference HP Part Description Mfr. Page 260 TABLE 812. LOG AMPLIFIER ASSEMBLY A14, REPLACEABLE PARTS 4 OF 4 SERIAL PREFIX 220814 Page 265 A16 Page 268 SERVICE MODEL 8559A Contact Cleaning MATERIALS. Page 269 MODEL 8559A SERVICE Page 271 MODEL 8559A SERVICE Page 272 SERVICE MODEL 8559A Page 274 SERVICE MODEL 8559A The HP 8559A is a wideband spectrum. Page 276 SERVICE MODEL 8559A A fourth cavity is used as. Page 277 MODEL 8559A SERVICE. Regardless of which harmonic is used for mixing, image frequencies can create problems. Image frequencies Page 279 MODEL 8559A SERVICE. DPM Accuracy. The following is a guide to troubleshooting poor DPM accuracy. Further information is included following. Page 280 Page 281 Page 282 MODEL 8559A SERVICE. DIGITAL PANEL METER ASSEMBLY A1, CIRCUIT DESCRIPTION. Page 283 SERVICE MODEL 8559A. Display Interface E. During the period the DPM drive input is being converted, the BCD output circuitry.



<https://www.informaquiz.it/petrgenis1604790/status/flotaganis19052022-2247>

Page 284 Page 285 SERVICE MODEL 8559A Page 286 MODEL 8559A SERVICE Page 287 Page 288  
 Page 289 SERVICE Page 290 SERVICE MODEL 8559A Remove screw holding Page 292 SERVICE  
 MODEL 8559A Page 294 SERVICE MODEL 8559A Roll Pins 12 should be positioned in hole 1 and  
 hole. Page 295 MODEL 8559A SERVICE Page 297 MODEL 8559A SERVICE Page 298 SERVICE  
 MODEL 8559A Page 299 MODEL 8559A SERVICE Page 300 SERVICE MODEL B559A Page 301  
 MODEL 8559A SERVICE Page 314 MODEL 8559A SERVICE Page 315 MODEL 8559A Page 316  
 MODEL 8559A SERVICE Page 317 Page 318 MODEL 8559A SERVICE Page 328 SERVICE MODEL  
 8559A. Resistor R92 is an adjustable current limiter that makes possible sweep width adjustment by  
 changing the gain. Page 329 MODEL 8559A SERVICE Page 330 SERVICE MODEL 8559A Page 332  
 Page 333 Page 334 Page 335 MODEL 8559A SERVICE Page 342 SERVICE MODEL 8559A. Second  
 LO Driver E. The Second LO Driver varies the voltage applied to the varactors in the. Page 343  
 MODEL 8559A SERVICE. Auto Scan Time AST Accuracy Observe front panel switch positions to  
 isolate the problem area. Auto Page 348 Page 349 MODEL 8559A SERVICE Pulse Shaper M. The  
 pulse shaper circuit block M consists of an FET switch, a Schmitt trigger. Page 357 MODEL 8559A  
 SERVICE Page 358 SERVICE MODEL 8559A Turning the manual sweep control A2R4 adjusts the  
 voltage at. Page 359 MODEL 8559A SERVICE. Crystal filter bandwidth is determined by the current  
 on BW6. Transistor 413 in the Xtal PIN Driver. Page 360 SERVICE MODEL 8559A. Video Filter. The  
 video filter comprises control A2R6, RESOLUTION BW switch A2A1S5, and eight capacitors on the.  
 Page 361 MODEL 8559A SERVICE Page 362 Page 363 MODEL 8559A SERVICE Page 364 SERVICE  
 MODEL 8559A Page 367 MODEL 8559A SERVICE Page 372 SERVICE MODEL 8559A. IF Preamplifier  
 F. The IF Preamplifier voltage gain is provided by Q8 in a common emitter amplifier configuration.  
 Page 373 MODEL 8559A SERVICE The 35 MHz Calibration Oscillator consists of a differential  
 amplifier formed by.

<http://genesisrealtycorp.com/images/canon-ir3225-pcl5e-manual.pdf>

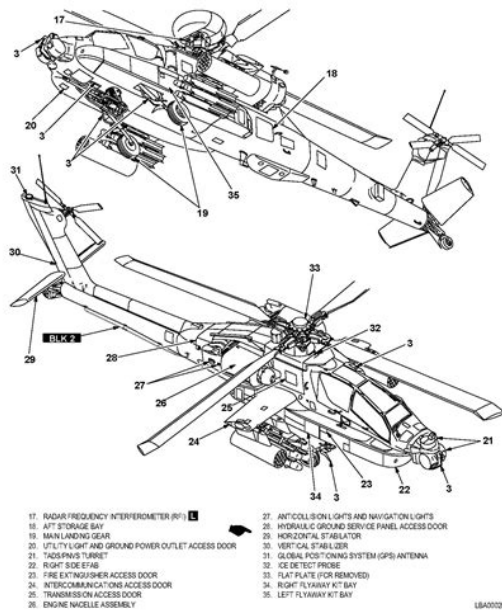


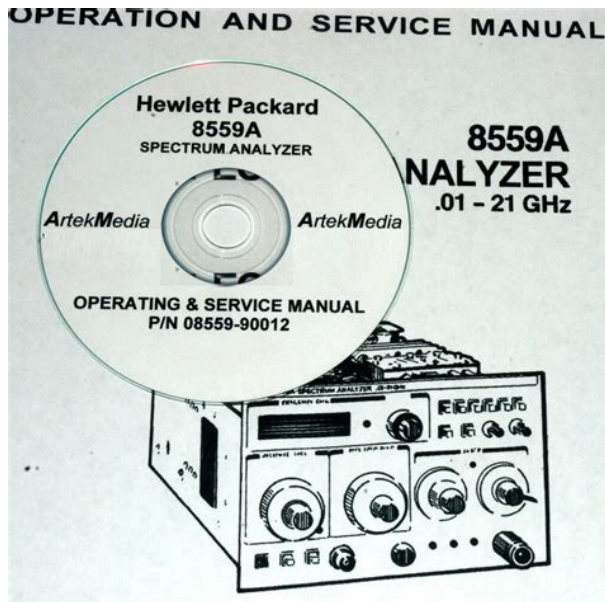
Figure 2-1. General Arrangement (Sheet 2 of 2)

Use or disclosure of this information is subject to the restriction(s) on the title page of this document.

Change 4 2-3

Page 374 Page 375 MODEL 8559A SERVICE Page 376 SERVICE MODEL 8559A Page 377 MODEL 8559A Page 378 Page 379 MODEL 8559A SERVICE BANDWIDTH FILTERS No. 1 and No. 2 ASSEMBLIES A11 and A13, CIRCUIT DESCRIPTION. Bandwidth Filters. Page 383 SERVICE MODEL 8559A The collector, therefore, becomes a constant current sink for 20 mA of current. Page 384 MODEL 8559A SERVICE. When the 1 kHz bandwidth is selected, CR4 is biased on and has a resistance of about. Page 385 SERVICE MODEL 8559A. The case capacitance of the crystal C, would cause a second resonant point, or dip, in the. Page 386 MODEL 8559A SERVICE Page 387 SERVICE MODEL 8559A. Second Xtal Pole G. The operation of the Second Xtal Pole is identical with the First Xtal. Page 388 MODEL 8559A SERVICE Page 396 SERVICE MODEL 8559A. The maximum current flow through the PIN diode is set with the 0 dB potentiometer R35. Resistor R35. Page 397 MODEL 8559A SERVICE. Band Offset D. Operational amplifiers U4a, U4d, U4c, and their associated circuits provide offset and gain for. Page 398 SERVICE MODEL 8559A. Page 399 MODEL 8559A SERVICE BANDWIDTH FILTER No. 2 ASSEMBLY A13. Bandwidth Filter No. 2 Assembly A13 is very similar to Bandwidth. Page 408 Page 409 Page 410 SERVICE MODEL 8559A Page 417 SERVICE MODEL 8559A. Resistance R, is at a minimum approximately 150 ohms for small signals. The small signal gain of. Page 418 MODEL 8559A SERVICE Buffer Amplifier L. The detectors output, the video signal, is amplified by the Buffer Amplifier. Differential pair. Page 420 Page 421 Page 422 Page 423 SERVICE MODEL 8559A VERTICAL DRIVING BLANKING ASSEMBLY A15, CIRCUIT DESCRIPTION. Page 429 SERVICE MODEL 8559A. Beamfinder. With 1 dB per division selected, the baseline is offscreen. Without a visible signal present, there. Page 430 MODEL 8559A SERVICE. Sweep Ramp High/Low Limit Comparator C. Operational amplifiers U1a and U1b are connected. Page 431 SERVICE MODEL 8559A The Blanking Driver is driven by.

<http://apartmangyula.com/images/canon-ir3235-service-manual-pdf.pdf>



Page 432 MODEL 8559A Page 433 SERVICE MODEL 8559A Page 439 MODEL 8559A SERVICE. We provide this page to assist you in using or replacing your product. Repair and calibration agreements and perincident services are available from Keysight Service Centers. With modifications described in Section VII, this manual For additional information about serial numbers, see. INSTRUMENTS COVERED BY MANUAL in Section I. This display gives The HP 8559A is capable of The complete measuring system includes the HP 8559A Spectrum. This display gives The HP 8559A is capable of The complete measuring system includes the HP 8559A Spectrum With modifications described in Section VII, this manual For additional information about serial numbers, see. INSTRUMENTS COVERED BY MANUAL in Section I. By submitting a comment, you are declaring that you agree with these rules Although the administrator will attempt to moderate comments, it is impossible for every comment to have been moderated at any given time. You acknowledge that all comments express the views and opinions of the original author and not those of the administrator. You agree not to post any material which is knowingly false, obscene, hateful, threatening, harassing or invasive of a persons privacy. The administrator has the right to edit, move or remove any comment for any reason and without notice. Failure to comply with these rules may result in being banned from further commenting. Learn more opens in a new window or tab This amount is subject to change until you make payment. For additional information, see the Global Shipping Programme terms and conditions opens in a new window or tab This amount is subject to change until you make payment. If you reside in an EU member state besides UK, import VAT on this purchase is not recoverable.

For additional information, see the Global Shipping Programme terms and conditions opens in a new window or tab Delivery times may vary, especially during peak periods and will depend on when your payment clears opens in a new window or tab. Learn More opens in a new window or tab Learn More opens in a new window or tab Learn More opens in a new window or tab Learn More opens in a new window or tab Learn More opens in a new window or tab See the sellers listing for full details. Contact the seller opens in a new window or tab and request a postage method to your location. Please enter a valid postcode. Please enter a number less than or equal to 5. Sellers may be required to accept returns for items that are not as described. Learn more about your rights as a buyer. opens in a new window or tab You're covered by the eBay Money Back Guarantee if you receive an item that is not as described in the listing. All Rights Reserved. User Agreement, Privacy, Cookies and AdChoice Norton Secured powered by Verisign. The item may have some signs of cosmetic wear, but is fully operational and functions as intended. This item may be a floor model or store return that has been used. See the seller's listing for full details and description of any imperfections. Very often issues with HP 8559A begin only after the warranty period ends and you may want to find how to repair it or just do some service work. Even oftener it is hard to remember what does each function

in Work Light HP 8559A is responsible for and what options to choose for expected result. Fortunately you can find all manuals for Work Light on our side using links below. Serial Numbers SERIAL NUMBER 116. Manual Updating Supplement 119. FRONT PANEL ADJUSTMENT PROCEDURE 35 With an adjustment tool, adjust the FOCUS control as necessary to make the characters on the CRT as clear as possible 330. Display Adjustments HP 180 Series Display Mainframe 3.

<http://www.sparkprototypes.com/wp-content/plugins/formcraft/file-upload/server/content/files/1627eb75ca0c27---brother-pacesetter-ult2002d-manual.pdf>

Adjust FOCUS and ASTIG controls for the smallest round dot possible 329. Display Adjustments HP 853A Spectrum Analyzer Display CRT 5. Adjust TRACE ALIGN so that the CRT trace is parallel to the horizontal graticule line 331. Frequency and Amplitude Adjustments 36 Adjust VERTICAL POSN to align the CRT trace with the bottom graticule line 250 MHz CAL OUTPUT 38 PERFORMANCE TESTS TESTS 411. FREQUENCY SPAN ACCURACY 39 SPECIFICATION DESCRIPTION EQUIPMENT Comb Generator Comb Generator HP 8406A Frequency Counter Function Generator Function Generator HP 3310A BNC Tee BNC Tee 40 FREQ SPAN DIV SIG IDENT. OFF COMB FREQUENCY MHz INTERPOLATION AMPLITUDE 1 MHz OUTPUT AMPLITUDE FUNCTION RANGE Frequency DCOFFSET LEVEL 41 411. REFERENCE LEVEL ACCURACY Contd Step Accuracy in Log Mode 86 423. REFERENCE LEVEL ACCURACY Contd REFERENCE Deviation from Step Accuracy in Linear Mode 87 423. SWEEP TIME ACCURACY Contd 92 A 50 MHz Input SENSITIVITY B B 10 MHz Input 93 W E E P Sweep Time 94 425. CALIBRATOR OUTPUT ACCURACY 426. DISPLAY FIDELITY 95 2 required Log Display Accuracy 96 426. DISPLAY FIDELITY Contd 97 in 98 426. A to B Full counterclockwise lops. SECOND CONVERTER ADJUSTMENTS Contd 154 Depress front panel ALT IF pushbutton. POWER SUPPLY CHECKS AND ADJUSTMENTS SERIAL PREFIX 2236A GHz 189 517. POWER SUPPLY CHECKS AND ADJUSTMENTS SERIAL PREFIX 2236A Contd Connect digital voltmeter to A9TP6 8. Connect digital voltmeter to A8TP2 VO. First Converter Adjustments 208 525. FIRST CONVERTER ADJUSTMENTS SERIAL PREFIX 2236A YTO 209 525. YIC Tuned Oscillator Assembly A6 and Shielded Caponeats Figure 825. Frequency Control Assembly 67 Schematic Diagram 1 of new R33 to side of 224 Figure 829. Frequency Control Assembly A7, Schematic Diagram 2 of 2 A7 227 Reference HP Part 228 FREQUENCY CONTROL Table 85. Harker Assembly 88, Replaceable Parts 233 88 A8R A8 R Figure 832, Harker Assembly A8, Component Locations A8 Figure 833. Marker Assembly A8, Schematic Diagram 1 of 2 A8 234 I R88 Figure 833.

Motherboard Assembly A16, Component Locations A16 Figure 877. Motherboard Assembly A16, Interconnect Diagram 265 A16 MOTHERBOARD 267 SECTION VIII SERVICE 268 812. For additional information, see the Global Shipping Programme terms and conditions opens in a new window or tab Delivery times may vary, especially during peak periods. Learn More opens in a new window or tab Learn More opens in a new window or tab Learn More opens in a new window or tab Learn More opens in a new window or tab Learn More opens in a new window or tab Learn more See the sellers listing for full details. Contact the seller opens in a new window or tab and request a postage method to your location. Please enter a valid postcode. Please enter a number less than or equal to 5. All Rights Reserved. Why get your next Certified car from one of the Bert Ogden Family of Dealerships Of course price is important and we do a great job at finding what's more than fair and reasonable. Tax, title, license and dealer fees unless itemized above are extra. Not available with special finance or lease offers. For used vehicles, MPG estimates are EPA estimates for the vehicle when it was new. The EPA periodically modifies its MPG calculation methodology; all MPG estimates are based on the methodology in effect when the vehicles were new please see the Fuel Economy portion of the EPA's website for details, including a MPG recalculation tool. Not available with special finance, lease and some other offers. See above for more details, and call us at 956 2050761 so we can answer any questions you might have. You'll be glad you did. Schedule a test drive online or by calling 956 2050761. Using the online preview, you can quickly view the contents and go to the



page where you will find the solution to your problem with HP HewlettPackard HewlettPackard Work Light 8559A. To start viewing the user manual HP HewlettPackard HewlettPackard Work Light 8559A on full screen, use the button Fullscreen.

However, if you do not want to take up too much of your disk space, you can always download it in the future from ManualsBase. The option to print the manual has also been provided, and you can use it by clicking the link above Print the manual. You do not have to print the entire manual HP HewlettPackard HewlettPackard Work Light 8559A but the selected pages only. paper. If you want to quickly view the content of pages found on the following pages of the manual, you can use them. HewlettPackard further certifies that its calibration measurements are traceable to the United States National Bureau of Standards, to the extent allowed by the Bureau's calibration facility. WARRANTY This HewlettPackard instrument product is warranted against defects in material and workmanship. With modifications described in Section VII, this manual also applies to instruments with serial number prefixes 1909A through 2320A. For additional information about serial numbers, see INSTRUMENTS COVERED BY MANUAL in Section I. COPYRIGHT © HEWLETT-PACKARD COMPANY, 1979, 1983 1424 FOUNTAIN GROVE PARKWAY, FAMILIARIZE YOURSELF WITH EACH OF THE SYMBOLS AND ITS MEANING BEFORE OPERATING THIS INSTRUMENT. Instruction manual symbol. The instrument will be marked with this symbol when it is necessary for the user to refer to the instruction manual in order to protect the instrument against damage. Location of pertinent information within the manual is indicated by use of Figure 11 shows the instrument and access SECTION V, ADJUSTMENTS; contains this supplement contains change information that explains how to adapt the manual to the newer instrument. 112. Before operating this instrument, you should familiarize yourself with the safety markings on the 118. In addition to change information, the supplement instrument and safety instructions in this manual. They are typical characteristics NOTE included for user information.

AMPLITUDE CHARACTERISTICS FREQUENCY CHARACTERISTICS AMPLITUDE RANGE AND ACCURACY FREQUENCY ACCURACY Frequency Cal Dynamic Range Maximum power ratio of two signals simultaneous Adjusts digital FREQUENCY GHz readout. Third Order Intermodulation Distortion Input SWR They are typical characteristics included for user information. AUX C 21.4 MHz IF OUTPUT with 0 dB input attenuation. Output level is BNC output provides 21.4 MHz IF signal line approximately 10 dBm into 50 ohms with a early related to spectrum analyzer RF input signal displayed at Reference Level. from a Display Mainframe age or 75 watts peak can be tolerated. 128. An HP 853A digital Spectrum Analyzer Display 1.35. Low Pass Filter play is recommended for use with the HP 8559A. The rear panel of the HP 853A mainframe provides the following output connection. It only takes a minute to sign up. I believe this is because the 180C is not compatible with the analyzer. If anyone how is more knowledgeable with this I would appreciate any help. The HP8559A requires 21.3 MHz IF, which is missing in the HP180C. I have read that section of the manual and I don't see how the outputs would affect what can be displayed. This is a busy list filled with people who know much about most of the early HP equipment. Mailing List Please be sure to answer the question. Provide details and share your research. Making statements based on opinion; back them up with references or personal experience. Use MathJax to format equations. MathJax reference. To learn more, see our tips on writing great answers. Browse other questions tagged troubleshooting spectrum analyzer test equipment or ask your own question. The standard length is 40 inches 1 meter. Other lengths available upon request. Additional details of the location of the connections on A15 are shown here. For complete details, please refer to the service manuals for your particular plugin and mainframe.

Readers and resources available here DjVu Resources For the compressed files, most common are zip and rar. Please, extract files with Your favorite compression software WinZip, WinRAR. before viewing. If a document has multiple parts, You should download all, before extracting. Good luck. Repair on Your own risk. Make sure You know what You are doing. Revision Date January 1984. HP

References in this Manual. This manual may contain references to HP or HewlettPackard. Please note that Hewlett. Packards former test and measurement, semiconductor products and chemical analysisWe have made no changes to thisFor example, model number HP8648A is now model number Agilent 8648A. About this Manual. Weve added this manual to the Agilent website in an effort to help you support yourIt may be incompleteIf we find a betterSupport for Your Product. Agilent no longer sells or supports this product. You will find any other availableSearch for the model number of this product, and the resulting product page will guideOur service centers may be able to perform calibrationI GENERAL INFORMATION..... 11 329. Display AdjustmentsHP 853AResolution Bandwidth Selectivity..... 420II INSTALLATION AND OPERATION Variation..... 442VII MANUAL BACKDATING CHANGES..... 7 1 Contact Cleaning..... 82FamiliarizeThe instrument will be marked with this symbolLocation of pertinent informationBe extremely careful.It calls attention to a procedure which, ifIt calls attention to a procedure which,Any interruption ofBe extremely careful. Any adjustments or service proAnalyzer. Figure 11 shows the instrument and acces SECTION V, ADJUSTMENTS; contains theCRT. This display gives quantitative information equipment configurations.

The H P 8559A is capable of measuring signals from SECTION VIII, SERVICE; contains schematicH P 8559A Spectrum Analyzer plugged into a comEach microInstrument specifications are listed in TableThis supplement conIn addition to change information, the supThis instrument has been manufactured and tested errors in the manual. To keep this manual as currentHow and accurate as possible, HewlettPackard recomThe supplement carries aRefer also to number. Complimentary copies of the supplementAddresses ofInstruments manufactured before the printThe serial number is in written directly. Manual backdating information isThis information should not be confusedThe suffix, how with information contained in the yellow ManualWhen the side stopsRefer to Section II for installation orThree graticule overlays provide the operatorH P Part Number 50208566 isThis unlisted serial the overlay for H P 181series display mainframes.The manual for 182series display mainframes. For proper installaCenter fre noise for a smooth trace. The MAX detent. Please do not offer the downloaded file for sell only use it for personal usage. Looking for other manual For this no need registration. May be help you to repair. You could suffer a fatal electrical shock. Instead, contact your nearest service center. Note! To open downloaded files you need acrobat reader or similar pdf reader program. In addition, Also some files are djvu so you need djvu viewer to open them. These free programs can be found on this page needed progs If you use opera you have to disable opera turbo function to download file. If you cannot download this file, try it with CHROME or FIREFOX browser. Translate this page Relevant METER forum topics HP 1720A oscilloszkop javitasa Megjavitva! Sziasztok! Ugy gondolom, hogy nyitok egy onallo temat a frissen vasarolt szkopommal kapcsolatos eszrevetelek, problemak megoldasahoz, no meg masok okulasara.

Kivulrol A szkop kulsejen talalhato matricakbol itelve elete nagy reszet valoszínűleg az amerikai legiero teszt reszlegen toltotte, feltehetőleg szakszeruen gondjat viseltek, akitol vettem azt monda, hogy a munkahelyerol selejtezték le ezt a szkopot es az utolso pillanatig hasznaltak ily ahogy van. Az elolapja szep, a haza nem kulonosebben, csavarok alig voltak benne, tobb helyen rosszul illeszkedik a fedel. A panelok osszevissza allnak belül, eddig meg nem talaltam egyertelmu azonositot a panelokon, amibol lehetne kovetkeztetni a funkciojukra, ehhez majd kell egy kis ido mire mindent felderitek. Meglepoen kis meretu halozati trafoja van, de ami meg meglepobb eleg keves lehet a fogyasztasa is. Az eddig tapasztalt problemak fontossagi sorrendbenHP34401A calibracio secured KOD Van egy HP34401A multimeterem, a cabiraciot ahogy kell le is zartak szamomra ismeretlen koddal, a hitelesitest igazolo matrica az oldalan le van tepve, tuti ra is volt irva, jegyzokonyv nincs mar meg. Esetleg letezik egy mester kod, ill valamilyen modszer a kiolvasasra. Amihez nem kell GBIB vagy HPIB kabelt venni. A muszer tokeletes, pontos, csak zavar, hogy le van zarva, igaz ily bolondbiztos, es ugyis lezarnam elnyomkodas ellen, aztan elfelejtenem az uj kodot, de en felmatricaznam belül. Tenyleg lehet szet kellene szednem, hatha belül van egy 12 digités

szamsor.Majd holnap. HP 4275a Multifrekvencias LCRméro Javitasi segitseg!!!! ERR1 ERR9.stb Sziasztok. Birtokomba jutott a fent említett professzionális muszer de sajnos hibás. A Service manual megtalálható hozzá itt az oldalon de rendkívül rossz minőségben. Ha bárki ért hozzá esetleg már találkozott vele kérem segítsen az alábbi hiba kiküszöbölésében. A bemenetre kapcsolva nem mér semmit sem eredeti kábelekkel mérése Bekapcsolás után lefuttatja az ontesztet, és kiírja error9, majd az A displayen H04 üzenet, a B Displayen d 6 üzenet látható. Annyira rajottem, hogy az ERROR9 hibauzenet a benne lévő gyenge akku miatt volt.

<http://www.bouwdata.net/evenement/bose-sounddock-10-manual-pdf>